



Maintenance and Service Guide

Compaq Presario X6000 Notebook PC
HP Compaq nx9600 Notebook PC

Document Part Number: 379178-002

September 2006

This guide is a troubleshooting reference used for maintaining and servicing the notebook. It provides comprehensive information on identifying notebook features, components, and spare parts; troubleshooting notebook problems; and performing notebook disassembly procedures.

© Copyright 2005 and 2006 Hewlett-Packard Development Company, L.P.

Microsoft and Windows are U.S. registered trademarks of Microsoft Corporation. Intel and Pentium are trademarks or registered trademarks of Intel Corporation or its subsidiaries in the United States and other countries. Bluetooth is a trademark owned by its proprietor and used by Hewlett-Packard Company under license. SD logo is a trademark of its proprietor.

The information contained herein is subject to change without notice. The only warranties for HP products and services are set forth in the express warranty statements accompanying such products and services. Nothing herein should be construed as constituting an additional warranty. HP shall not be liable for technical or editorial errors or omissions contained herein.

Maintenance and Service Guide
Compaq Presario X6000 Notebook PC
HP Compaq nx9600 Notebook PC
Second Edition September 2006
First Edition January 2005
Document Part Number: 379178-002

Contents

1 Product Description

1.1 Features	1-2
1.2 Resetting the Notebook	1-4
1.3 Power Management	1-4
1.4 External Components	1-5
1.5 Design Overview	1-18

2 Troubleshooting

2.1 Computer Setup	2-1
Using Computer Setup	2-1
Selecting from the Main Menu	2-2
Selecting from the Security Menu	2-3
Selecting from the Advanced Menu	2-4
Selecting from the Tools Menu	2-4
2.2 Troubleshooting Flowcharts	2-5

3 Illustrated Parts Catalog

3.1 Serial Number Location	3-1
3.2 Notebook Major Components	3-2
3.3 Mass Storage Devices	3-10
3.4 Miscellaneous Plastics Kit	3-12
3.5 Miscellaneous (Not Illustrated)	3-13
3.6 Sequential Part Number Listing	3-16

4 Removal and Replacement Preliminaries

4.1 Tools Required	4-1
4.2 Service Considerations	4-2
Plastic Parts	4-2
Cables and Connectors	4-2
4.3 Preventing Damage to Removable Drives	4-3
4.4 Preventing Electrostatic Damage	4-4
4.5 Packaging and Transporting Precautions	4-5
4.6 Workstation Precautions	4-6
4.7 Grounding Equipment and Methods	4-7

5 Removal and Replacement Procedures

5.1	Serial Number	5-2
5.2	Disassembly Sequence Chart	5-3
5.3	Preparing the Notebook for Disassembly	5-5
5.4	Notebook Feet	5-10
5.5	Optical Drive	5-11
5.6	Memory Module	5-13
5.7	Mini PCI Communications Card	5-16
5.8	Switch Cover	5-18
5.9	LED Board	5-21
5.10	Keyboard	5-22
5.11	Display Assembly	5-26
5.12	Top Cover	5-30
5.13	Front Panel LED Board	5-35
5.14	Audio/USB Board	5-37
5.15	Bluetooth Board	5-39
5.16	System Board	5-41
5.17	Digital Drive Board	5-51
5.18	Speakers	5-53
5.19	Base Enclosure Fans	5-56
5.20	Modem Board	5-58
5.21	Heat Sink Module	5-60
5.22	Processor	5-62

6 Specifications

Connector Pin Assignments

Power Cord Set Requirements

Screw Listing

Index

1

Product Description

The Compaq Presario X6000 Notebook PC ❶ and HP Compaq nx9600 Notebook PC ❷ offer advanced modularity, Intel® Mobile Pentium® 4 processors, and extensive multimedia support.



Compaq Presario X6000 Notebook PC and HP Compaq nx9600 Notebook PC

1.1 Features

- The following processors are available, varying by notebook model:
 - Intel Pentium 4 560 (3.6-GHz) with 800-MHz FSB with HT Technology
 - Intel Pentium 4 550 (3.4-GHz) with 800-MHz FSB with HT Technology
 - Intel Pentium 4 540 (3.2-GHz) with 800-MHz FSB with HT Technology
 - Intel Pentium 4 530 (3.0-GHz) with 800-MHz FSB with HT Technology (Compaq Presario X6000 models only)
 - Intel Pentium 4 520 (2.8-GHz) with 800-MHz FSB with HT Technology (Compaq Presario X6000 models only)
- The following displays are available, varying by notebook model:
 - 17.0-inch WSXGA+WVA (1680 × 1050) with Brightview TFT display with over 16.7 million colors
 - 17.0-inch WXGA+WVA (1440 × 900) with Brightview TFT display with over 16.7 million colors
 - 17.0-inch WXGA+WVA (1440 × 900) TFT display with over 16.7 million colors
- 100-, 80-, 60-, or 40-GB high-capacity hard drive, varying by notebook model
- 256-MB DDR-2 synchronous DRAM (SDRAM) at 400 MHz, expandable to 2.0 GB
- Microsoft® Windows® XP Home Edition or Windows XP Professional, varying by notebook model
- Full-size Windows keyboard with full-size numeric keypad
- TouchPad pointing device, including a dedicated vertical scroll region and a button that enables/disables TouchPad operation
- Integrated 10 Base-T/100 Base-TX Ethernet local area network (LAN) network interface card (NIC) with RJ-45 jack (Compaq Presario X6000 models only)

- Integrated Gigabit Ethernet (10/100/1000) LAN NIC with RJ-45 jack (HP Compaq nx9600 models only)
- Integrated high-speed 56K modem with RJ-11 jack
- Integrated wireless support for Mini PCI IEEE 802.11a/b (Compaq Presario X6000 models) and 802.11a/b/g (HP Compaq nx9600 models) WLAN devices
- Support for one Type II PC Card slot, with support for both 32-bit (CardBus) and 16-bit PC Cards
- External 180- and 135-watt AC adapter with 3-wire power cord, varying by notebook model
- 12-cell Li-Ion battery pack
- Stereo speakers with volume up, volume mute, and volume down buttons
- Support for the following optical drives:
 - 8X Max DVD±RW/R and CD-RW Combo Drive
 - 24X Max DVD/CD-RW Combo Drive
- Connectors:
 - External monitor
 - Universal Serial Bus (USB) v. 2.0 (four ports)
 - RJ-11 (modem)
 - RJ-45 (network)
 - Audio-out (headphone)
 - Audio-in (microphone)
 - Power
 - IEEE 1394 (select models only)
 - S-Video-out (select models only)
 - Expansion port 2
 - Memory Reader slot (Compaq Presario X6000 models only)
 - Digital Media Slot (HP Compaq nx9600 models only)
 - Digital drive bay
 - ExpressCard

1.2 Resetting the Notebook

If the notebook you are servicing has an unknown password, follow these steps to clear the password. These steps also clear CMOS:

1. Prepare the notebook for disassembly (refer to [Section 5.3, “Preparing the Notebook for Disassembly,”](#) for more information).
2. Remove the real time clock (RTC) battery (refer to [Section 5.16, “System Board,”](#) for more information on removing and replacing the RTC battery).
3. Wait approximately 5 minutes.
4. Replace the RTC battery and reassemble the notebook.
5. Connect AC power to the notebook. Do not reinsert any battery packs at this time.
6. Turn on the notebook.

All passwords and all CMOS settings have been cleared.

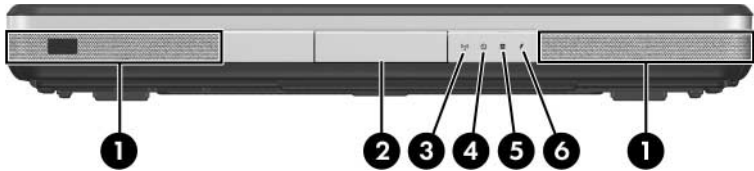
1.3 Power Management

The notebook comes with power management features that extend battery operating time and conserve power. The notebook supports the following power management features:

- Standby
- Hibernation
- Setting customization by the user
- Hotkeys for setting the level of performance
- Battery calibration
- Lid switch standby/resume
- Power/standby button
- Advanced Configuration and Power Management (ACPM) compliance

1.4 External Components

The external components on the front of the notebook are shown below and described in Table 1-1.

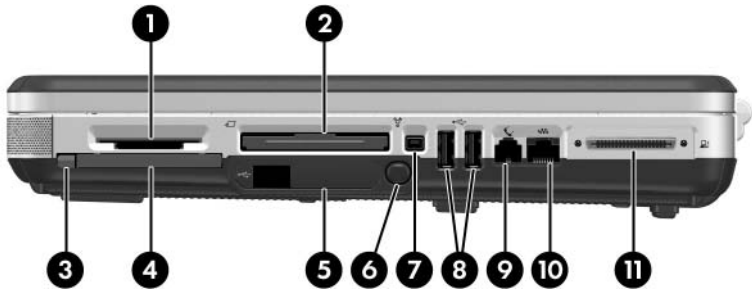


Front Components

Table 1-1
Front Components

Item	Component	Function
1	Stereo speakers (2)	Produce stereo sound.
2	Display release latch	Opens the notebook.
3	Wireless light	On: An integrated wireless device has been enabled.
4	Power/standby light	<ul style="list-style-type: none"> ■ On: Notebook is turned on. ■ Blinking: Notebook is in standby. ■ Off: Notebook is off.
5	Drive activity light	On: A drive on the notebook is being accessed.
6	Battery light	<ul style="list-style-type: none"> ■ On: Battery pack is charging. ■ Blinking: Battery pack has reached a low-battery condition.

The external components on the right side notebook are shown below and described in Table 1-2.



Right-Side Components

Table 1-2

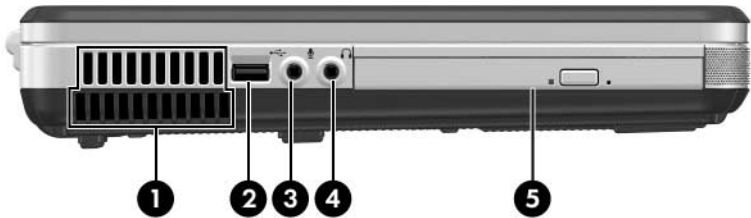
Right-Side Components

Item	Component	Function
1	Memory Reader (Compaq Presario X6000 only) Digital Media Slot (HP Compaq nx9600 only)	Supports the following optional digital media cards: Secure Digital (SD) Memory Card, Secure Digital Input/Output (SD I/O) Card, Memory Stick, Memory Stick Pro, MultiMediaCard, xD-Picture Card, and SmartMedia Card.
2	ExpressCard slot	Supports an optional ExpressCard.

Table 1-2
Right-Side Components (Continued)

Item	Component	Function
3	PC Card eject button	Ejects an optional PC Card from the PC Card slot.
4	PC Card slot	Supports an optional Type I or Type II 32-bit (CardBus) or 16-bit PC Card. Also serves as a storage location for the optional remote control.
5	Digital drive bay	Supports an optional USB digital drive.
6	Digital drive eject button	Ejects an optional USB digital drive from the digital drive bay.
7	1394 port	Connects an optional 1394 device such as a scanner, digital camera, or digital camcorder.
8	USB ports (2)	Connect an optional 1.1- or 2.0-compliant USB device.
9	RJ-11 (modem) jack	Connects the modem cable.
10	RJ-45 (network) jack	Connects an optional network cable.
11	Expansion port 2	Connects to an optional notebook expansion product.

The external components on the left side of the notebook are shown below and described in Table 1-3.

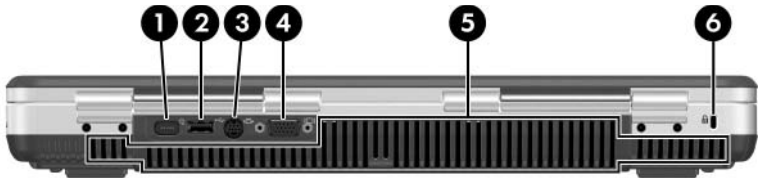


Left-Side Components

Table 1-3
Left-Side Components

Item	Component	Function
1	Exhaust vent	Provides airflow to cool internal components. △ To prevent overheating, do not obstruct vents. Do not allow a hard surface, such as a printer, or a soft surface, such as pillows, thick rugs or clothing, to block airflow.
2	USB port	Connects an optional 1.1- or 2.0-compliant USB device.
3	Audio-in (microphone) jack	Connects an optional monaural microphone.
4	Audio-out (headphone) jack (2)	Connect optional headphones or powered stereo speakers. Also connects the audio function of an audio/video device such as a television or VCR.
5	Optical drive	Supports an optical disc. The type of optical drive, such as a combination CD-ROM/DVD-ROM, varies by model.

The external components on the rear panel of the notebook are shown below and described in Table 1-4.

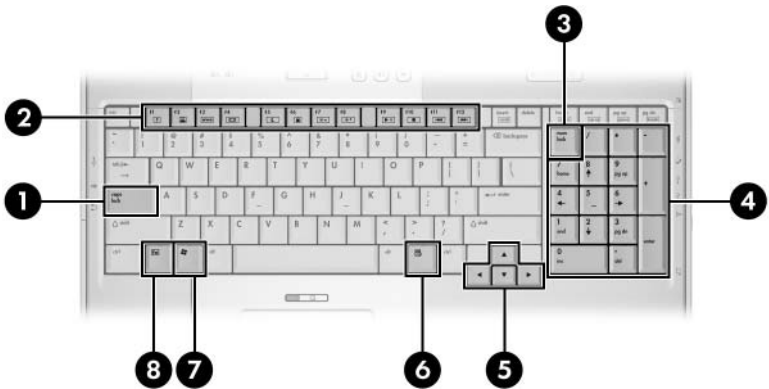


Rear Panel Components

Table 1-4
Rear Panel Components

Item	Component	Function
1	Power connector	Connects an AC adapter.
2	USB port	Connects an optional 1.1- or 2.0-compliant USB device.
3	S-Video-out jack	Connects an optional S-Video device, such as a television, VCR, camcorder, projector, or video capture card.
4	External monitor port	Connects an optional VGA external monitor or projector.
5	Exhaust vent	Provides airflow to cool internal components. △ To prevent overheating, do not obstruct vents. Do not allow a hard surface, such as a printer, or a soft surface, such as pillows, thick rugs or clothing, to block airflow.
6	Security cable slot	Attaches an optional security cable to the notebook.

The standard keyboard components of the notebook are shown below and described in Table 1-5.

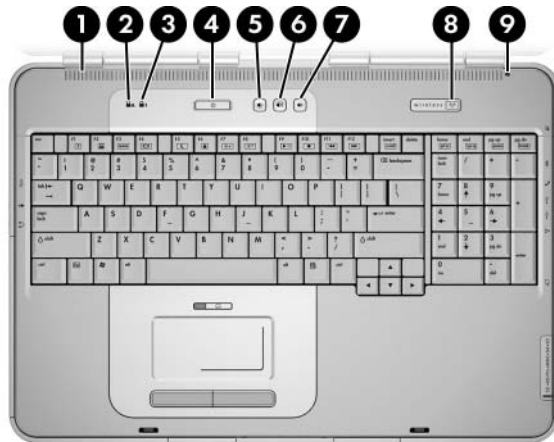


Standard Keyboard Components

Table 1-5
Standard Keyboard Components

Item	Component	Function
1	caps lock key	Enables caps lock and turns on the caps lock light.
2	f1 to f12 keys (12)	Perform system and application tasks. When combined with the fn key, several keys and buttons perform additional tasks as hotkeys.
3	num lock key	Enables numeric lock, turns on the embedded numeric keypad, and turns on the num lock light.
4	Keypad keys (15)	In Windows, can be used like the keys on an external numeric keypad.
5	Arrow keys	Moves the cursor around the screen.
6	Windows applications key	In Windows, displays a shortcut menu for items beneath the pointer.
7	Windows logo key	In Windows, displays the Windows Start menu.
8	fn key	Combines with other keys to perform system tasks. For example, pressing fn+f7 decreases screen brightness.

The upper components of the keyboard are shown below and described in Tables 1-6 and 1-7.




Upper Keyboard Components

Table 1-6

Upper Keyboard Components

Item	Component	Function
1	Exhaust vents	Provide airflow to cool internal components. △ To prevent overheating, do not obstruct vents. Do not allow a hard surface, such as a printer, or a soft surface, such as pillows, thick rugs or clothing, to block airflow.
2	Caps lock light	On: caps lock is on.

Table 1-6
Upper Keyboard Components (Continued)

Item	Component	Function
3	Num lock light	On: num lock or the numeric keypad is on.
4	Power/standby button	<p>When the notebook is:</p> <ul style="list-style-type: none"> ■ Off, press to turn on the notebook. ■ On, briefly press to initiate standby. ■ In standby, briefly press to resume from standby. ■ In hibernation, briefly press to restore from hibernation. <p> If the system has stopped responding and Microsoft® Windows® shutdown procedures cannot be used, press and hold the power/standby button for at least 4 seconds to turn off the notebook.</p>
5	Volume down button	Decreases system volume.
6	Volume mute button	Mutes or restores system volume.
7	Volume up button	Increases system volume.
8	Wireless button	Turns the wireless network device on and off (select models only).
9	Display lid switch	<ul style="list-style-type: none"> ■ If the notebook is closed while on, turns off the display. ■ If the notebook is opened while in standby, turns on the notebook (resumes from standby).

The notebook top components are show below and described in Table 1-7.

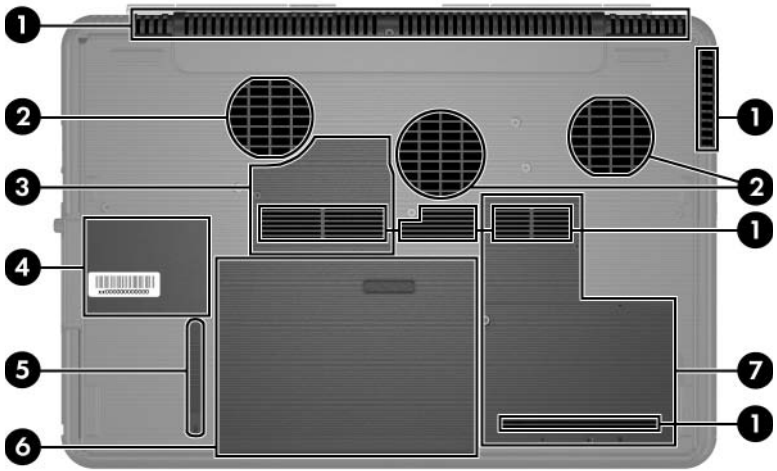


Notebook Top Components

Table 1-7
Notebook Top Components

Item	Component	Function
1	TouchPad light	On: TouchPad is enabled.
2	TouchPad	Moves the pointer and selects or activates items on the screen.
3	TouchPad left/right scroll zone	Scrolls left or right.
4	Left and right TouchPad buttons (2)	Function like the left and right buttons on an external mouse.
5	Memory Reader light	On: an SD Memory Card, SD I/O Card, Memory Stick, Memory Stick Pro, MultiMediaCard, xD-Picture Card, and SmartMedia inserted in the Memory Reader is being accessed.
6	TouchPad up/down scroll zone	Scrolls up or down.
7	TouchPad button	Enables/disables the TouchPad.

The external components on the bottom of the notebook are shown below and described in Table 1-8.





Bottom Components

Table 1-8

Bottom Components

Item	Component	Function
1	Exhaust vents (4)	Provide airflow to cool internal components. △ To prevent overheating, do not obstruct vents. Do not allow a hard surface, such as a printer, or a soft surface, such as pillows, thick rugs or clothing, to block airflow.

Table 1-8
Bottom Components (*Continued*)

Item	Component	Function
2	Fans (2)	Provide airflow to cool internal components.  To prevent overheating, do not obstruct fans. Do not allow a hard surface, such as a printer, or a soft surface, such as pillows, thick rugs or clothing, to block airflow.
3	Memory module compartment	Contains two memory slots that support replaceable memory modules. The number of preinstalled memory modules varies by notebook model.
4	Label areas (2)	Contains the notebook serial number and other applicable regulatory labels.
5	Battery pack release latch	Releases a battery pack from the battery bay.
6	Battery bay	Holds a battery pack.
7	Hard drive bay Mini PCI compartment	Holds the internal hard drive. Holds an optional wireless LAN device.  To prevent an unresponsive system and the display of a warning message, install only a Mini PCI device authorized for use in your notebook by the governmental agency that regulates wireless devices in your country. If you install a device and then receive a warning message, remove the device to restore notebook functionality. Then contact Customer Care.

1.5 Design Overview

This section presents a design overview of key parts and features of the notebook. Refer to [Chapter 3, “Illustrated Parts Catalog,”](#) to identify replacement parts, and [Chapter 5, “Removal and Replacement Procedures,”](#) for disassembly steps.

The system board provides the following device connections:

- Memory module
- Mini PCI communications devices
- Hard drive
- Display
- Keyboard and TouchPad
- Audio
- Intel Pentium 4 processors
- PC Card



CAUTION: To properly ventilate the notebook, allow at least a 7.6-cm (3-inch) clearance on the left and right sides of the notebook.

The notebook uses an electric fan for ventilation. The fan is controlled by a temperature sensor and is designed to be turned on automatically when high temperature conditions exist. These conditions are affected by high external temperatures, system power consumption, power management/battery conservation configurations, battery fast charging, and software applications. Exhaust air is displaced through the ventilation grill located on the left side of the notebook.

Troubleshooting



WARNING: Only authorized technicians trained by HP should repair this equipment. All troubleshooting and repair procedures are detailed to allow only subassembly-/module-level repair. Because of the complexity of the individual boards and subassemblies, do not attempt to make repairs at the component level or modifications to any printed wiring board. Improper repairs can create a safety hazard. Any indication of component replacement or printed wiring board modification may void any warranty or exchange allowances.

2.1 Computer Setup

Computer Setup is a system information and customization utility that can be used even when your operating system is not working or will not load. This utility includes settings that are not available in Windows.

Using Computer Setup

Information and settings in Computer Setup are accessed from the Main, Security, Advanced, or Tools menus:

1. Turn on or restart the notebook. Press **f10** while the F10 = ROM-Based Setup message is displayed in the lower-left corner of the screen.
 - ❑ To change the language, use the cursor control keys to navigate to the **Advanced** menu.
 - ❑ To view navigation information, press **f1**.
 - ❑ To return to the Computer Setup menu, press **esc**.

2. Select the **Main, Security, Advanced,** or **Tools** menu.
3. To close Computer Setup and restart the notebook:
 - ❑ Select **Exit > Exit Saving Changes**, and then press **enter**.
 - or –
 - ❑ Select **Exit > Exit Discarding Changes**, and then press **enter**.
 - or –
 - ❑ Select **Exit > Load Setup Defaults**, and then press **enter**.
4. When you are prompted to confirm your action, press **f10**.




Selecting from the Main Menu

Table 2-1
Main Menu

Select	To Do This
System Information	<ul style="list-style-type: none">■ Change the system time and system date.■ View identification information about the notebook.■ View specification information about the processor, memory and cache size, and system ROM.

Selecting from the Security Menu

Table 2-2
Security Menu

Select	To Do This
Administrator Password	Enter, change, or delete an Administrator password.
Power-on Password	Enter, change, or delete a power-on password.
DriveLock Passwords	<p>Enable/disable DriveLock; change a DriveLock user or master password.</p> <p> DriveLock Settings are accessible only when you enter Computer Setup by turning on (not restarting) the notebook.</p>
Password Options (Password options can be selected only when a power-on password has been set.)	<p>Enable/disable:</p> <ul style="list-style-type: none"> ■ QuickLock ■ QuickLock on standby ■ QuickBlank <p> To enable QuickLock on standby or QuickBlank, you must first enable QuickLock.</p>
Device Security	<p>Enable/disable:</p> <ul style="list-style-type: none"> ■ Diskette drive startup* ■ CD-ROM or diskette startup <p> Settings for a DVD-ROM can be entered in the CD-ROM field.</p>

*Not applicable to SuperDisk LS-120 drives.

Selecting from the Advanced Menu

Table 2-3
Advanced Menu

Select	To Do This
Language	Change the Computer Setup language.
Boot Order	Enable/disable MultiBoot, which sets a startup sequence that can include most bootable devices and media in the system.
Accessibility Options	Allows electronic and information technology to be accessible to people with varying ranges of abilities.
Video Memory	Displays the amount of video memory available on the notebook.

Selecting from the Tools Menu

Table 2-4
Tools Menu

Select	To Do This
Hard Drive Self Test	Run a quick comprehensive self test on hard drives in the system that support the test features.

2.2 Troubleshooting Flowcharts

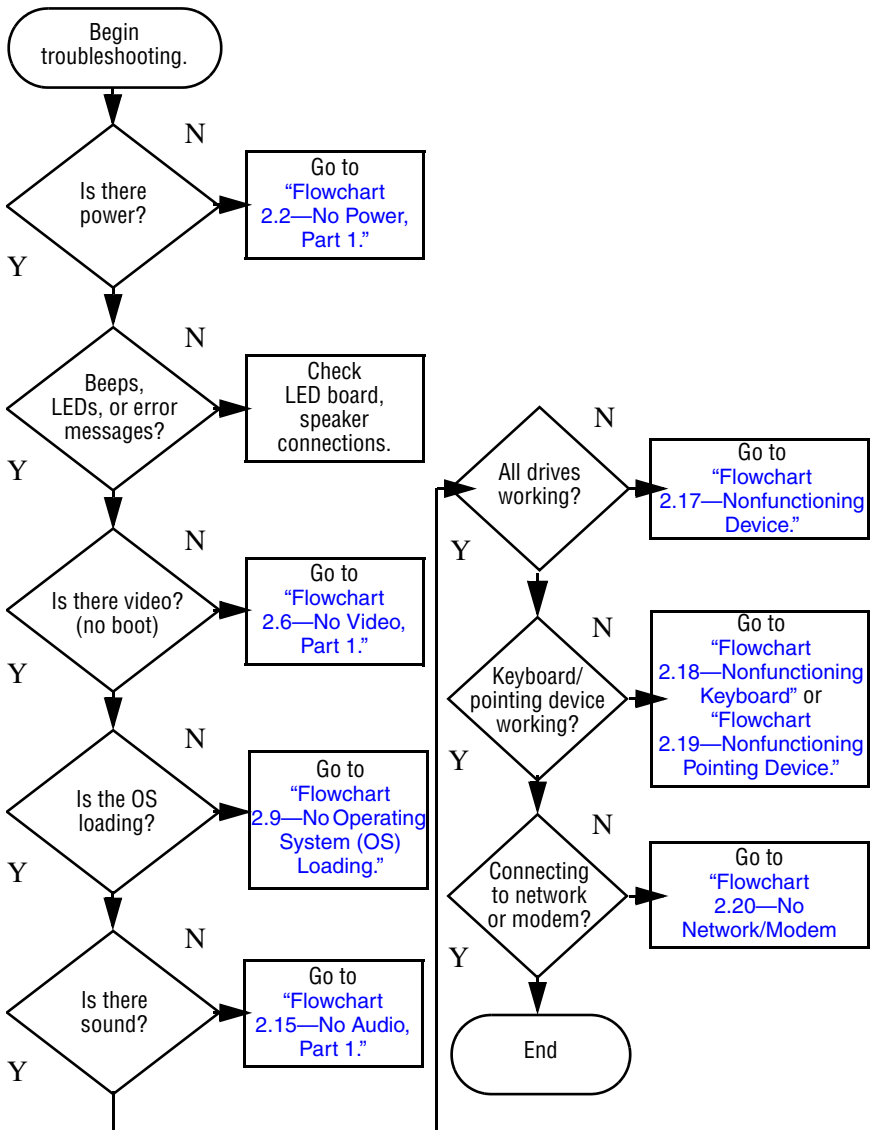
Table 2-5
Troubleshooting Flowcharts Overview

Flowchart	Description
2.1	"Flowchart 2.1—Initial Troubleshooting"
2.2	"Flowchart 2.2—No Power, Part 1"
2.3	"Flowchart 2.3—No Power, Part 2"
2.4	"Flowchart 2.4—No Power, Part 3"
2.5	"Flowchart 2.5—No Power, Part 4"
2.6	"Flowchart 2.6—No Video, Part 1"
2.7	"Flowchart 2.7—No Video, Part 2"
2.8	"Flowchart 2.8—Nonfunctioning Expansion Base (if applicable)"
2.9	"Flowchart 2.9—No Operating System (OS) Loading"
2.10	"Flowchart 2.10—No OS Loading, Hard Drive, Part 1"
2.11	"Flowchart 2.11—No OS Loading, Hard Drive, Part 2"
2.12	"Flowchart 2.12—No OS Loading, Hard Drive, Part 3"
2.13	"Flowchart 2.13—No OS Loading, Diskette Drive"

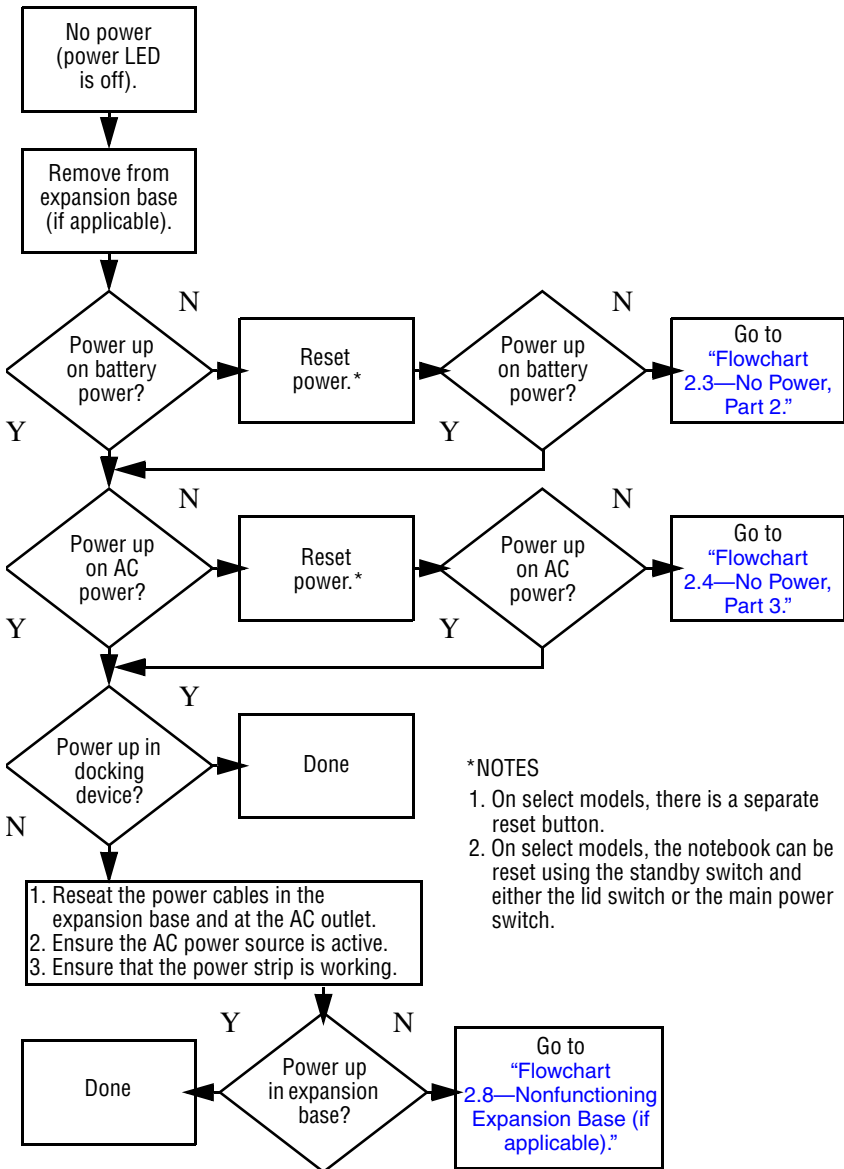
Table 2-5
Troubleshooting Flowcharts Overview (*Continued*)

Flowchart	Description
2.14	"Flowchart 2.14—No OS Loading, Optical Drive"
2.15	"Flowchart 2.15—No Audio, Part 1"
2.16	"Flowchart 2.16—No Audio, Part 2"
2.17	"Flowchart 2.17—Nonfunctioning Device"
2.18	"Flowchart 2.18—Nonfunctioning Keyboard"
2.19	"Flowchart 2.19—Nonfunctioning Pointing Device"
2.20	"Flowchart 2.20—No Network/Modem Connection"

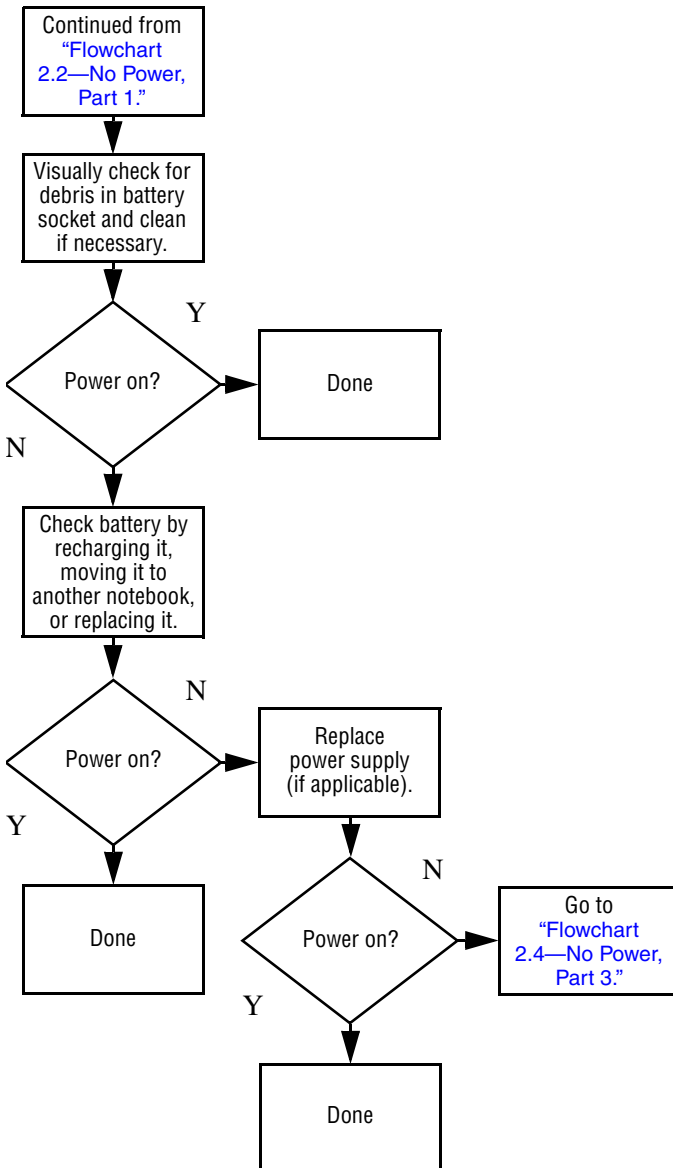
Flowchart 2.1 – Initial Troubleshooting



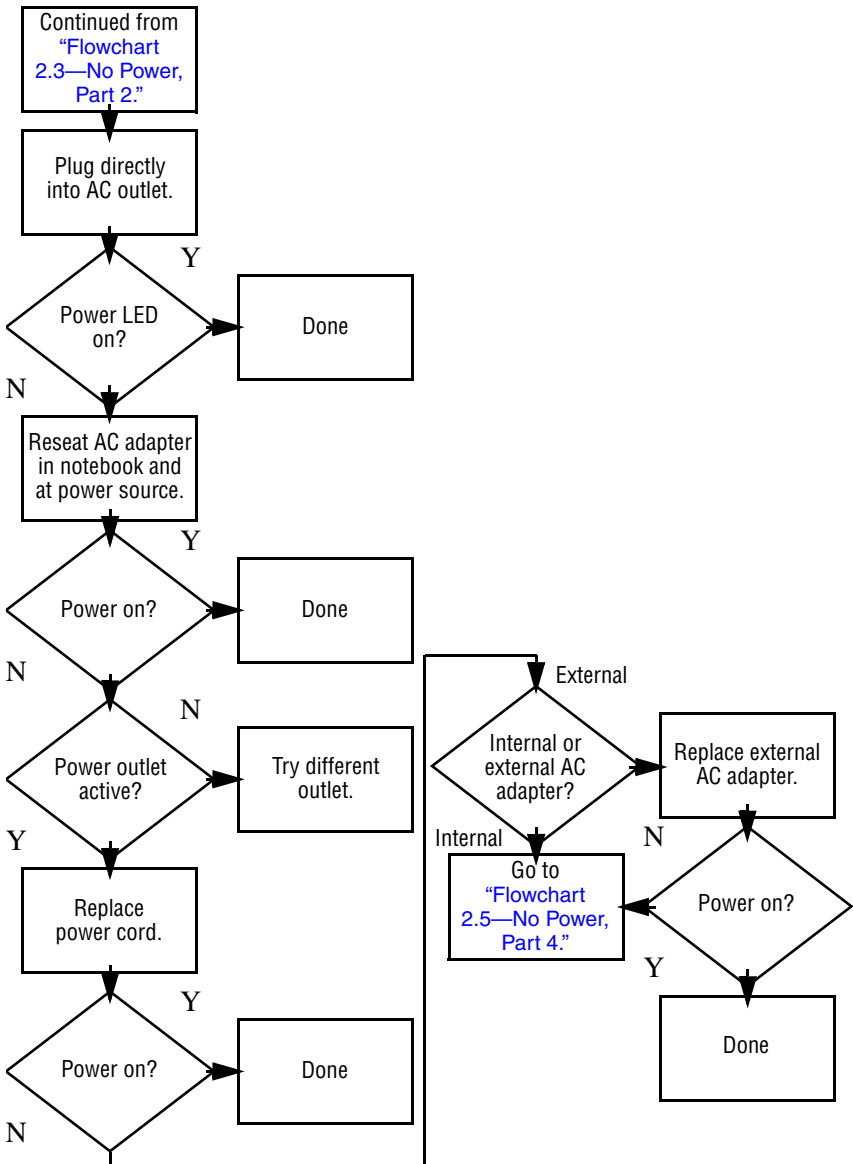
Flowchart 2.2—No Power, Part 1



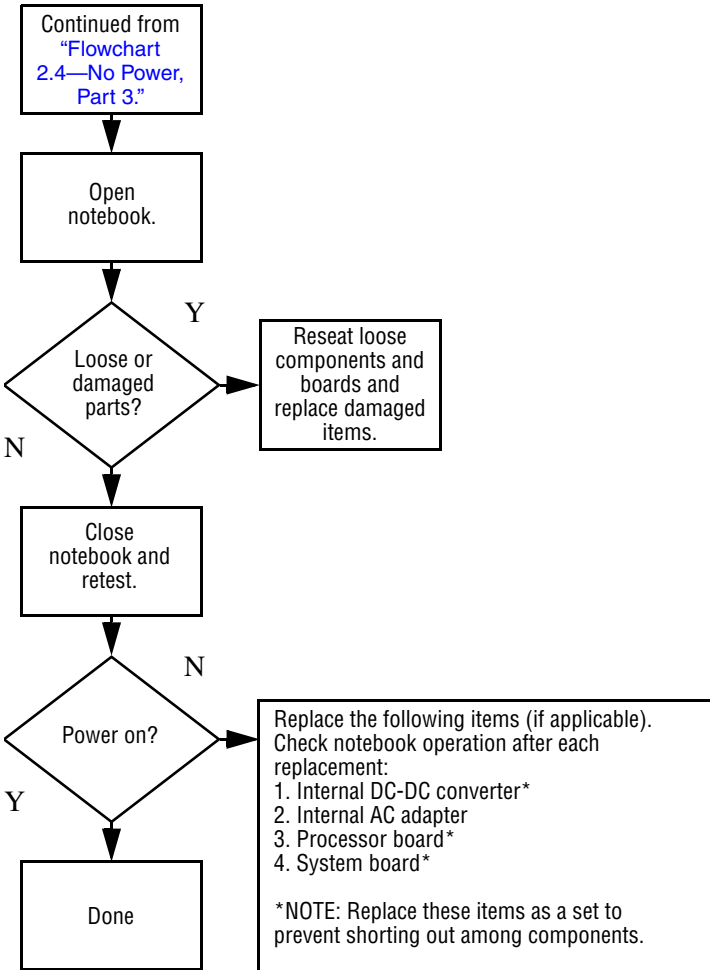
Flowchart 2.3—No Power, Part 2



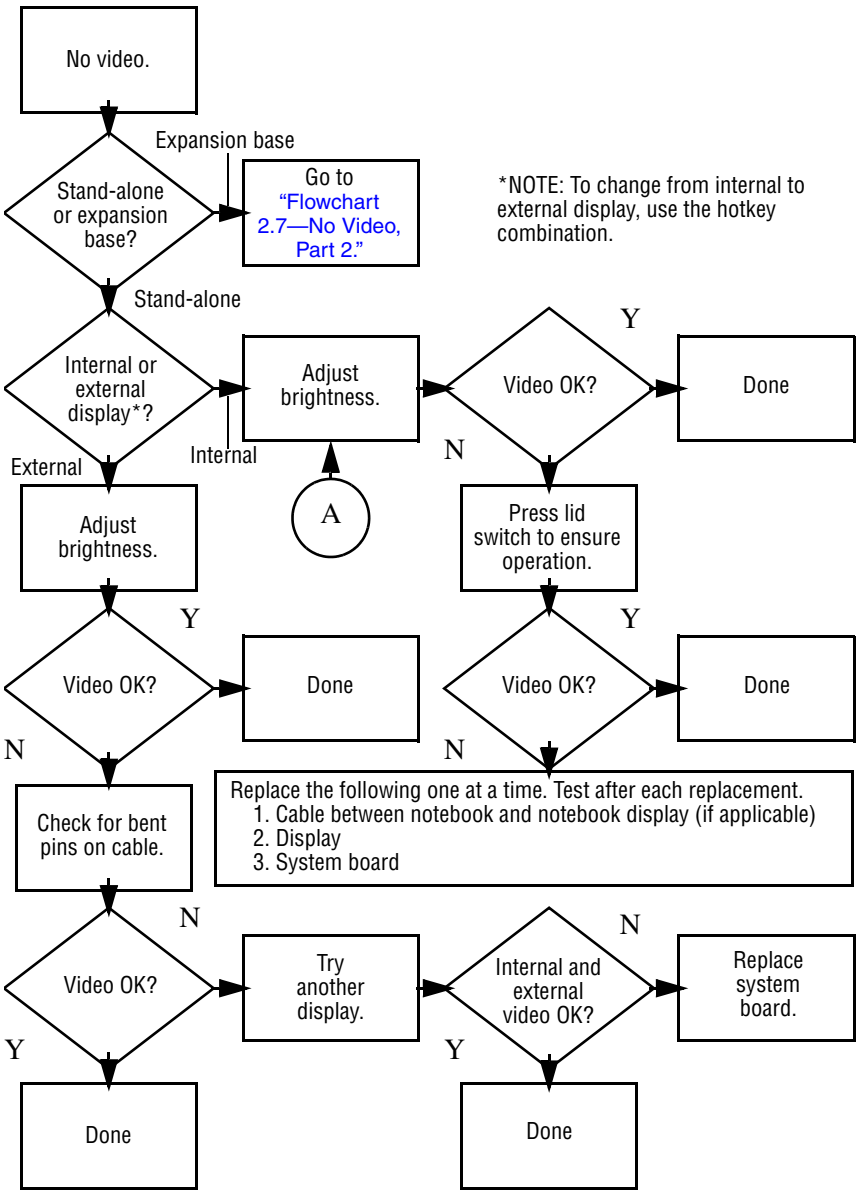
Flowchart 2.4—No Power, Part 3



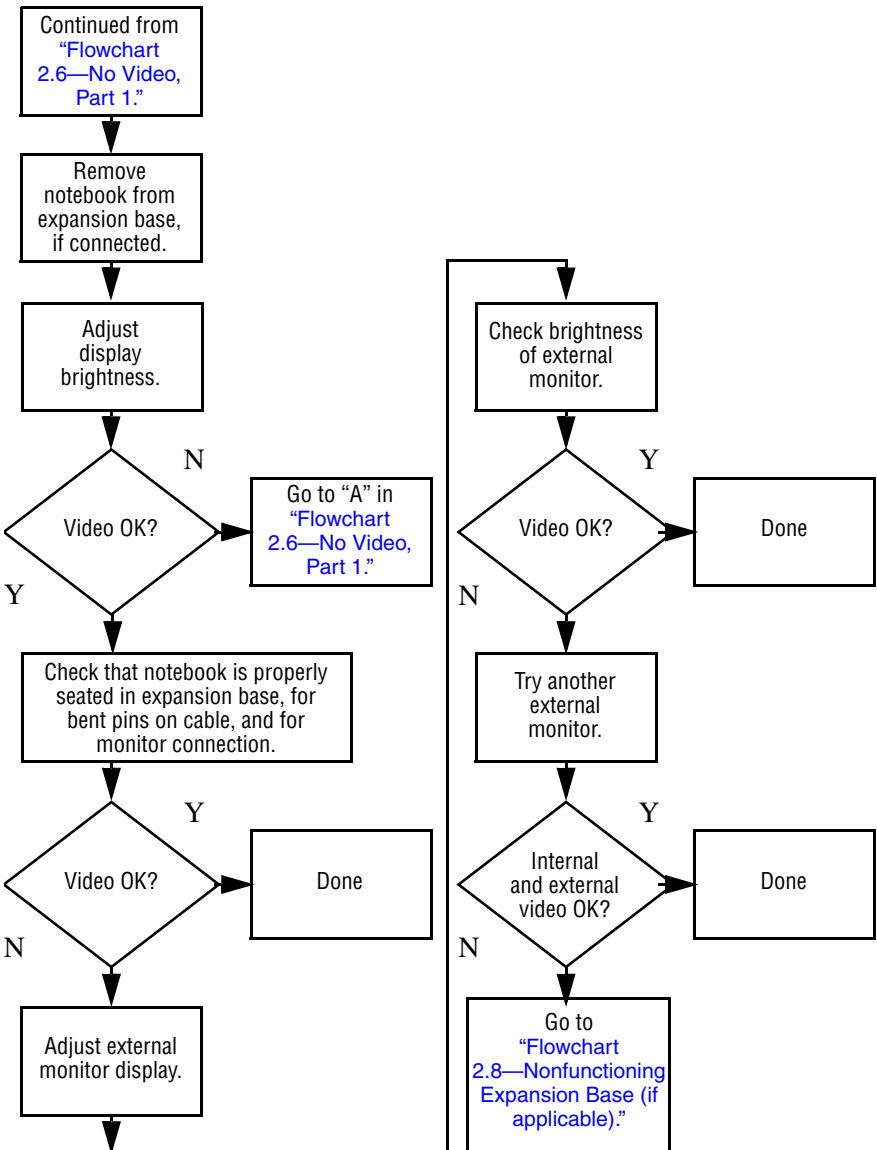
Flowchart 2.5—No Power, Part 4



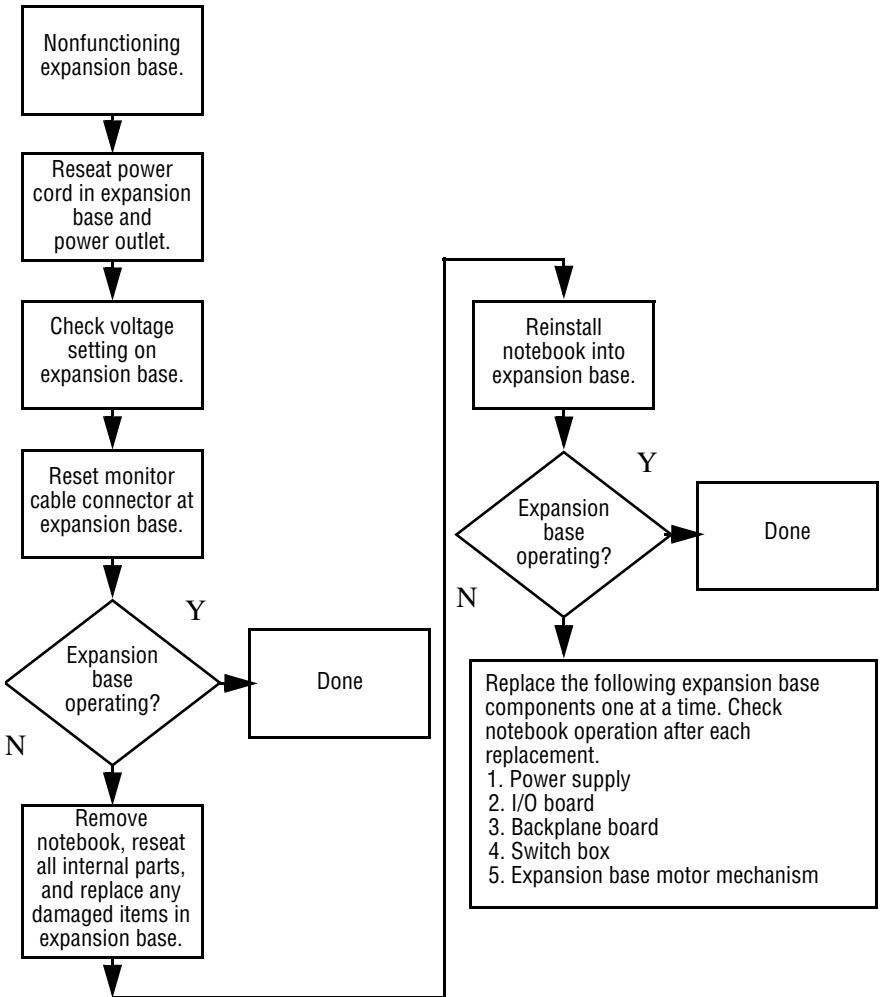
Flowchart 2.6—No Video, Part 1



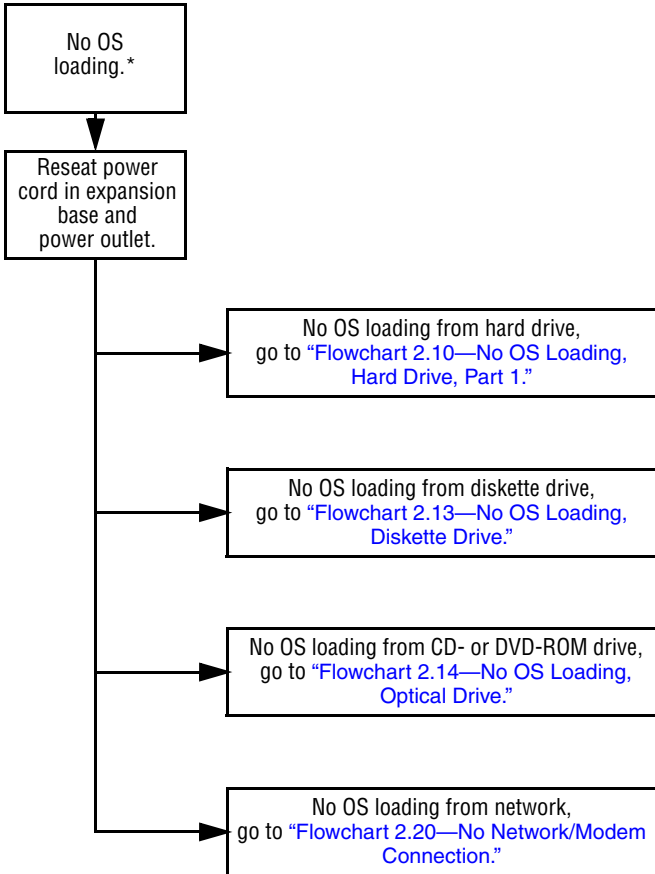
Flowchart 2.7—No Video, Part 2



Flowchart 2.8—Nonfunctioning Expansion Base (if applicable)

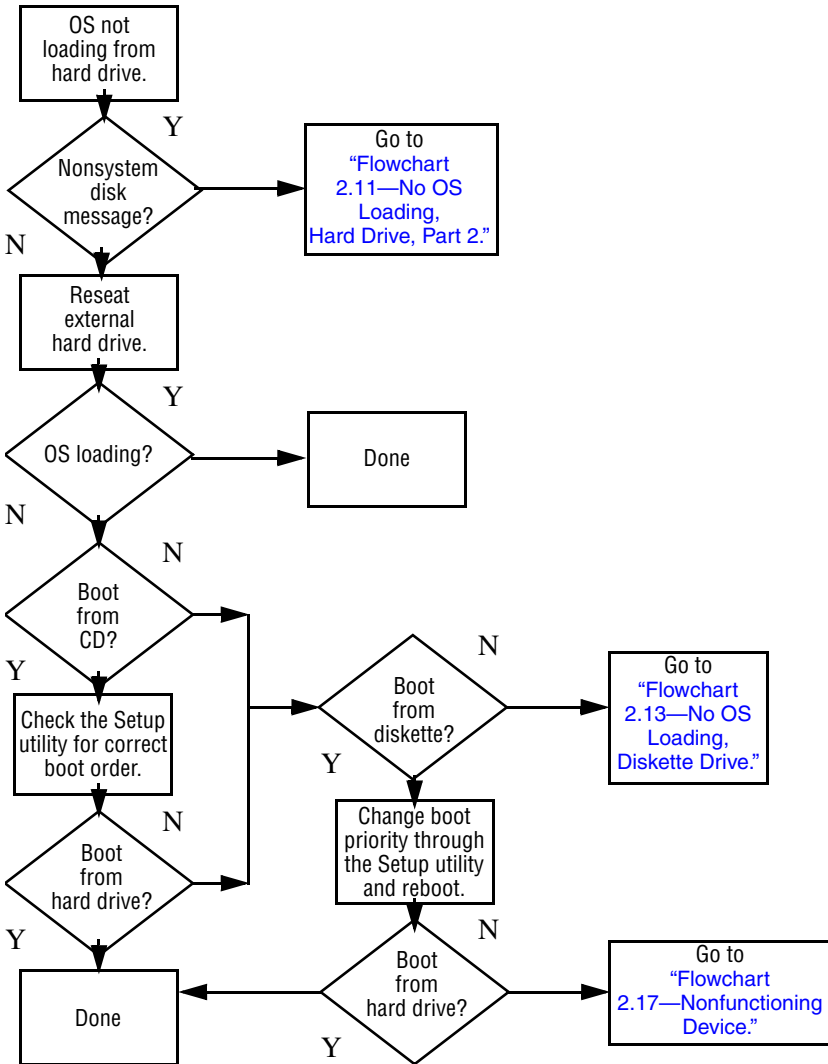


Flowchart 2.9—No Operating System (OS) Loading

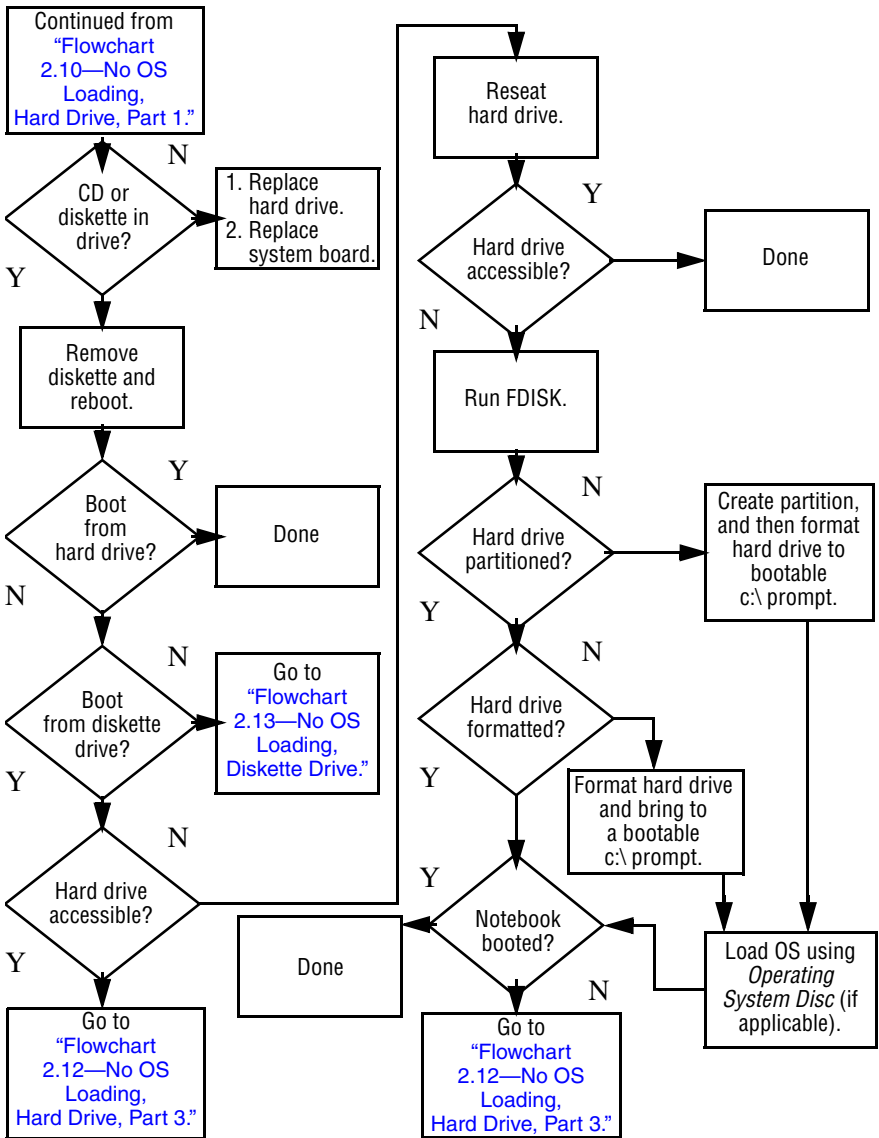


*NOTE: Before beginning troubleshooting, always check cable connections, cable ends, and drives for bent or damaged pins.

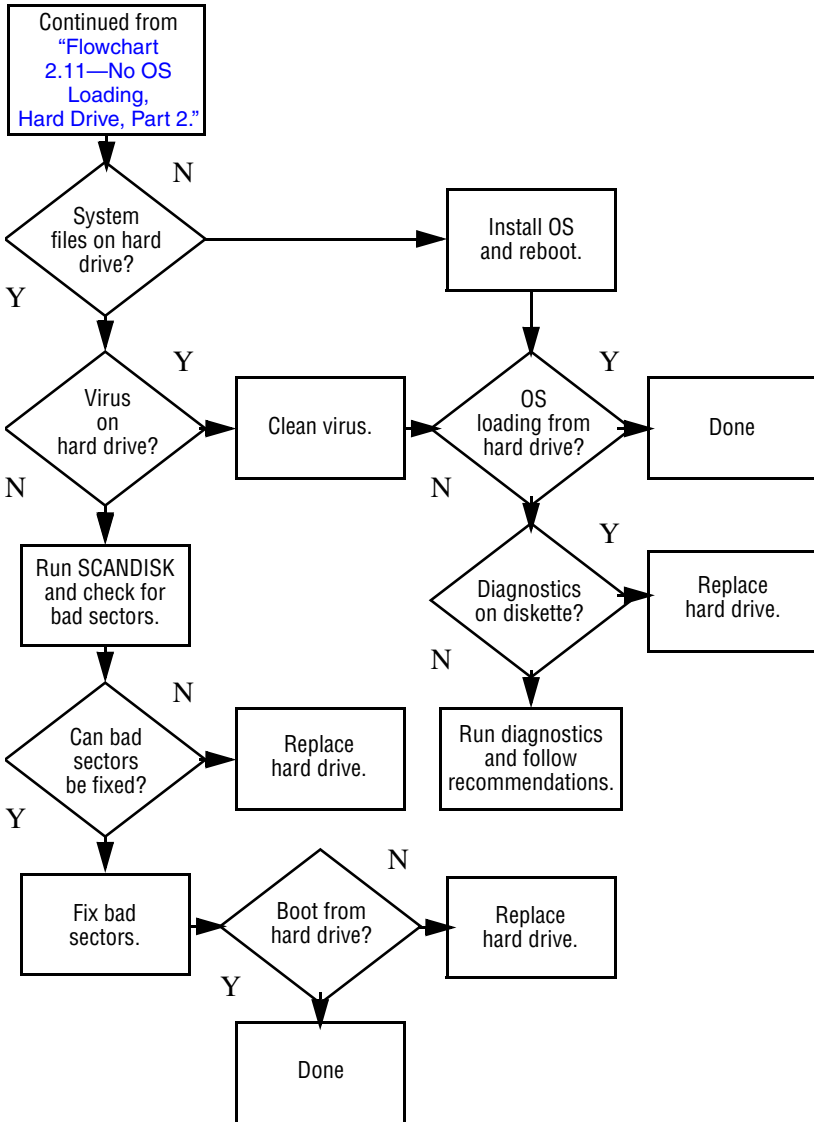
Flowchart 2.10—No OS Loading, Hard Drive, Part 1



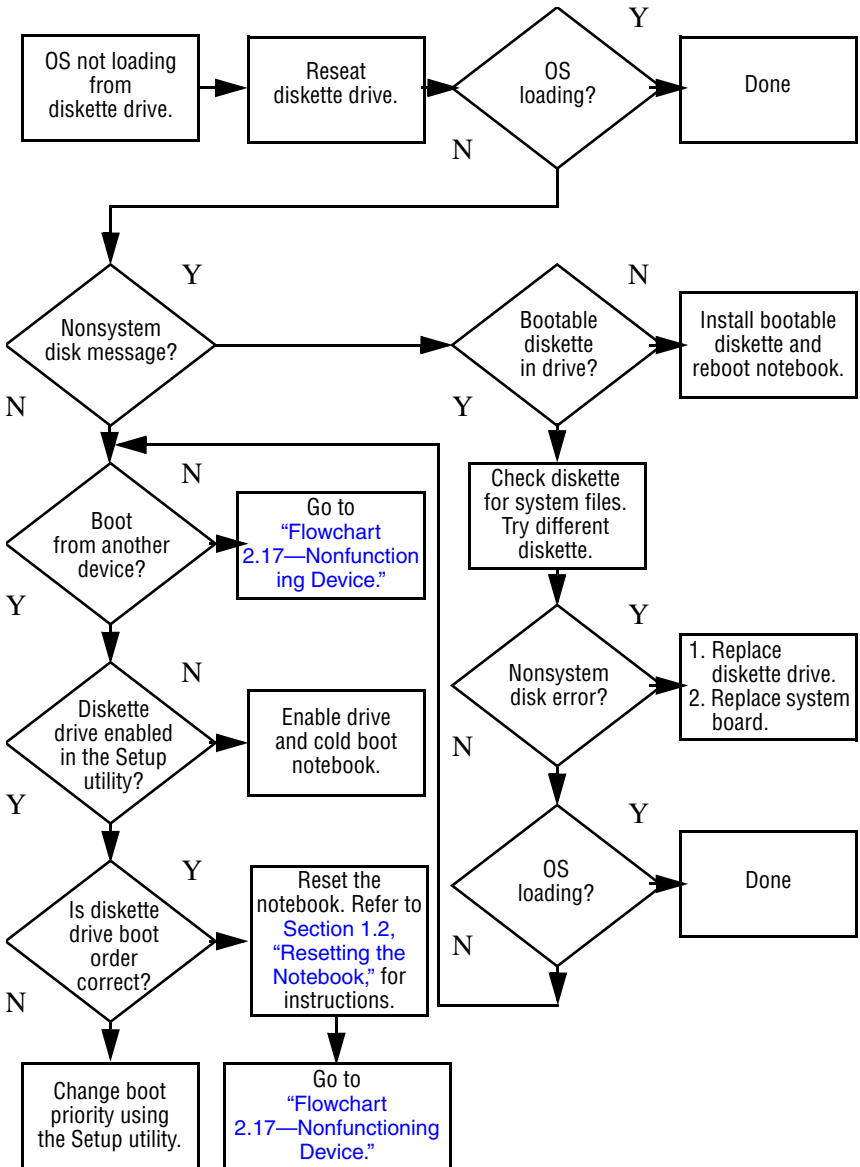
Flowchart 2.11 – No OS Loading, Hard Drive, Part 2



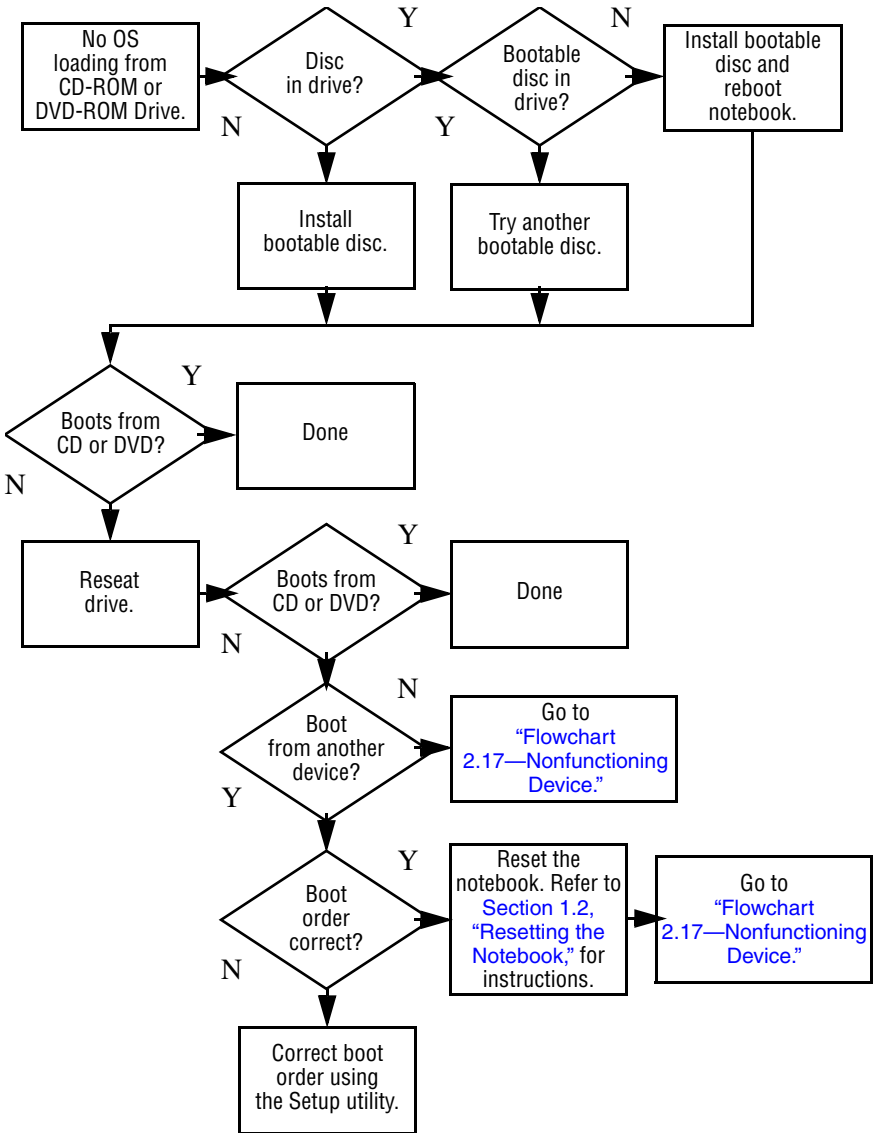
Flowchart 2.12—No OS Loading, Hard Drive, Part 3



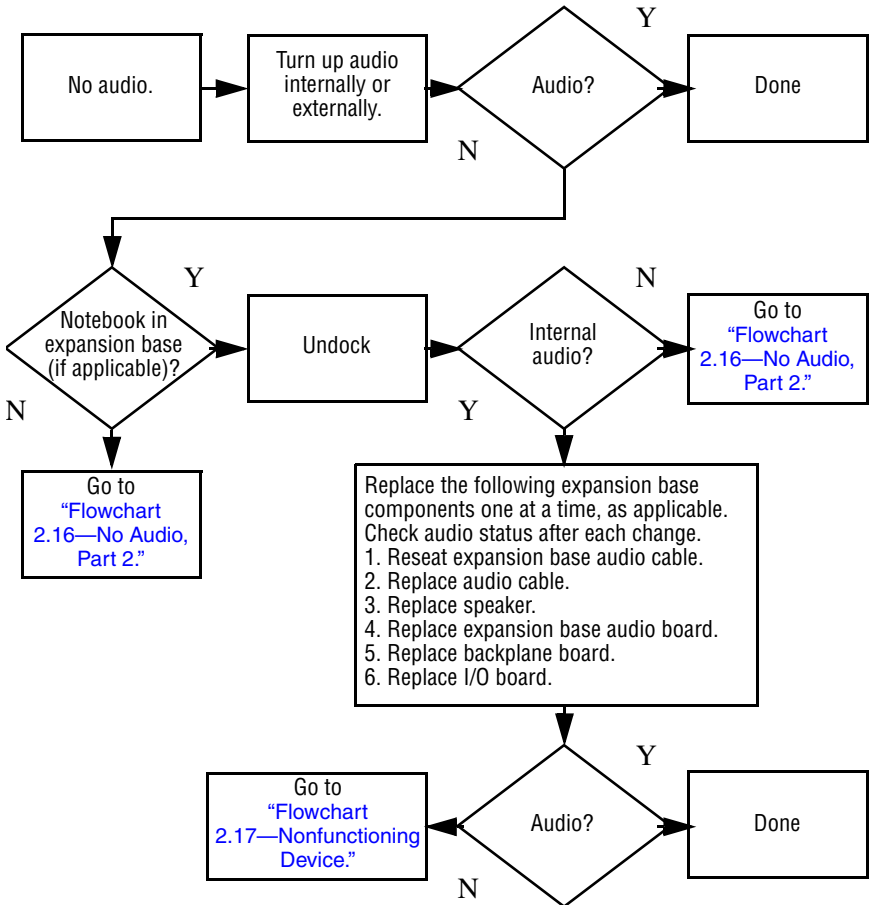
Flowchart 2.13—No OS Loading, Diskette Drive



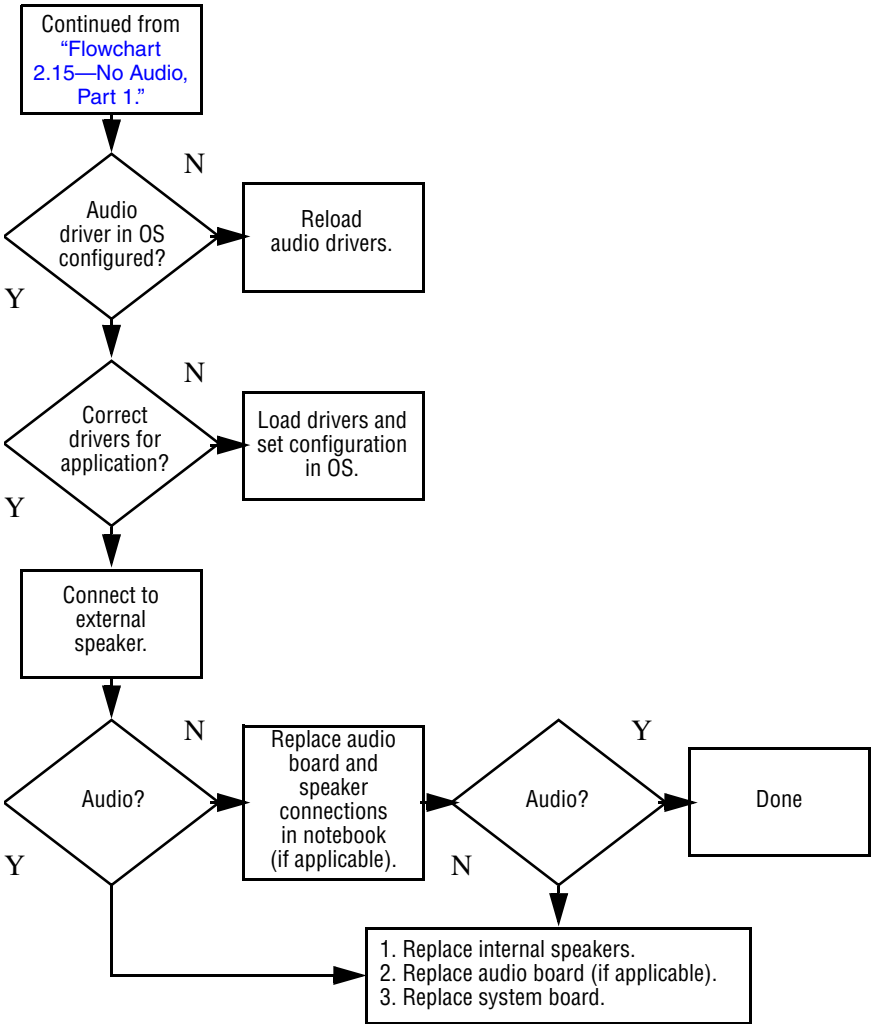
Flowchart 2.14—No OS Loading, Optical Drive



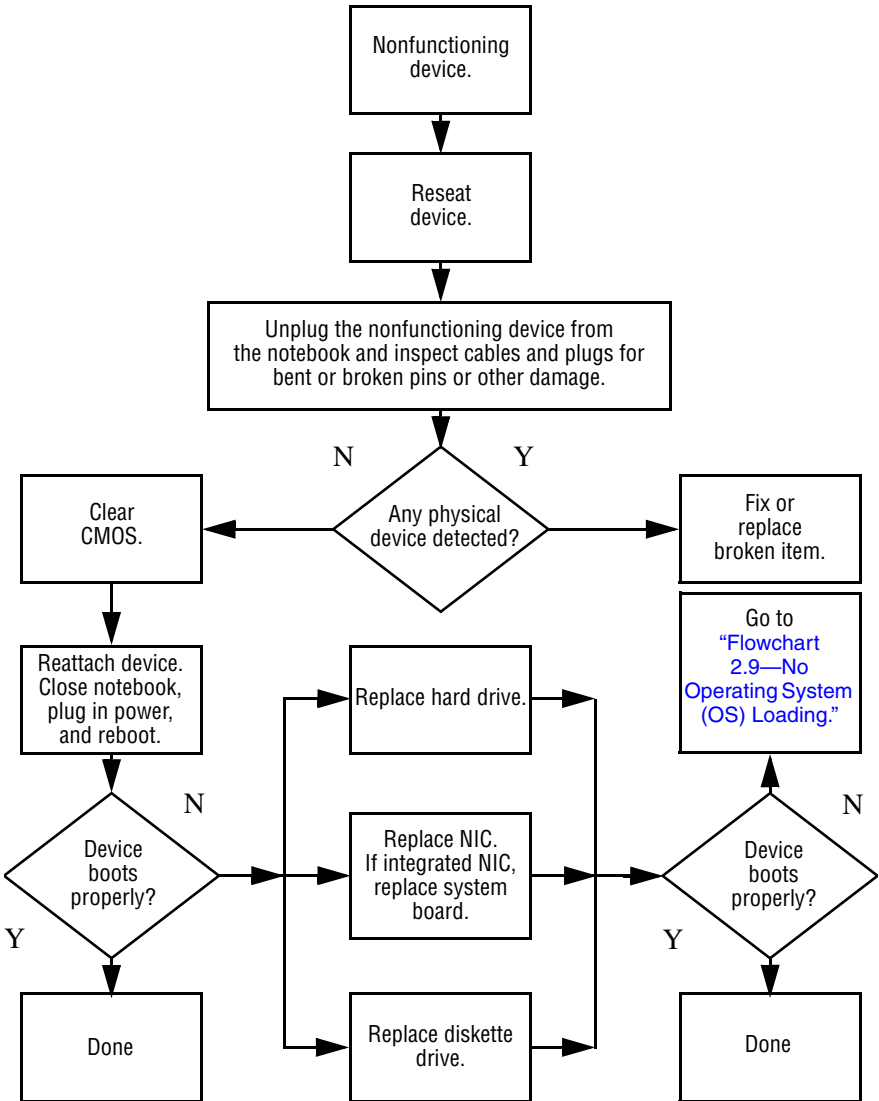
Flowchart 2.15—No Audio, Part 1



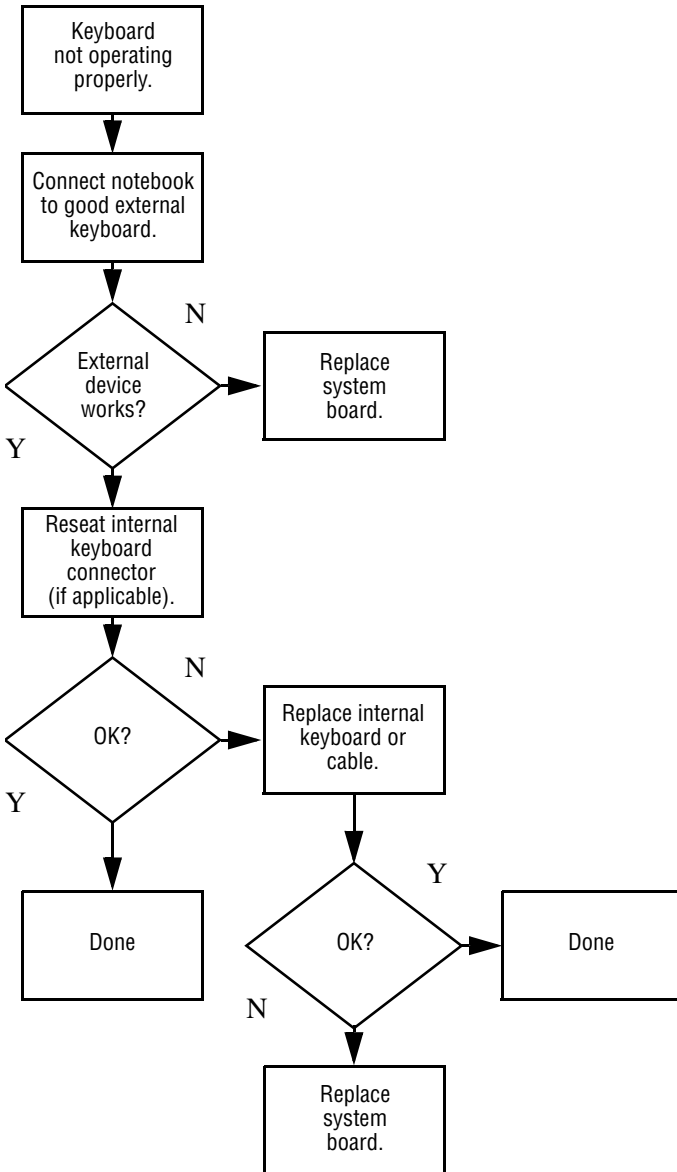
Flowchart 2.16—No Audio, Part 2



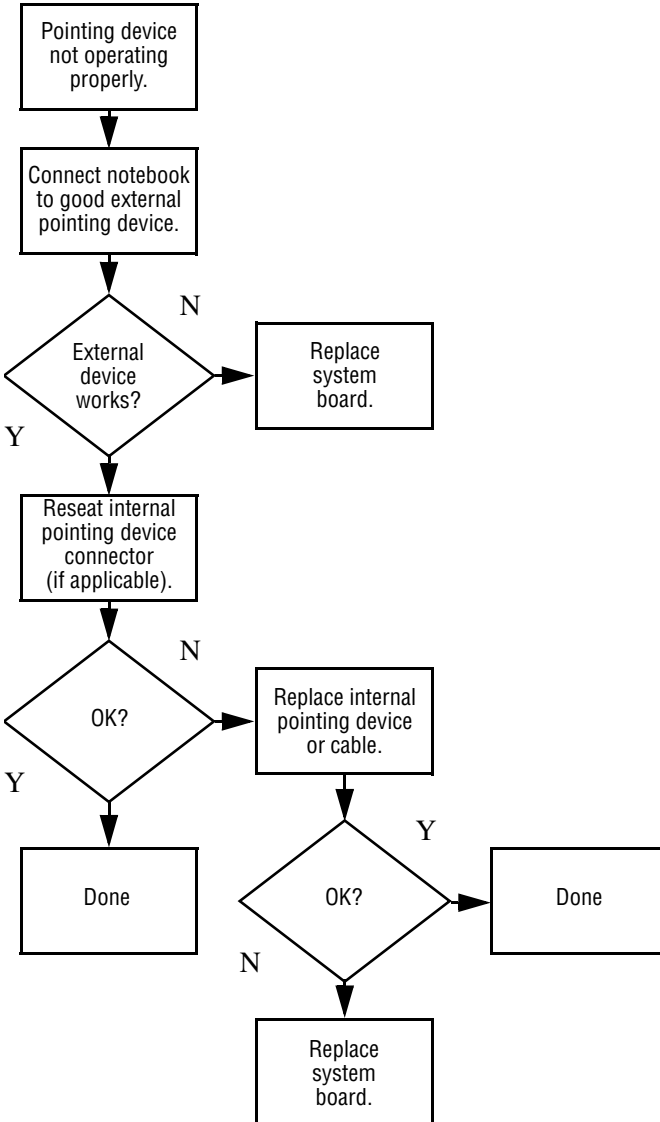
Flowchart 2.17—Nonfunctioning Device



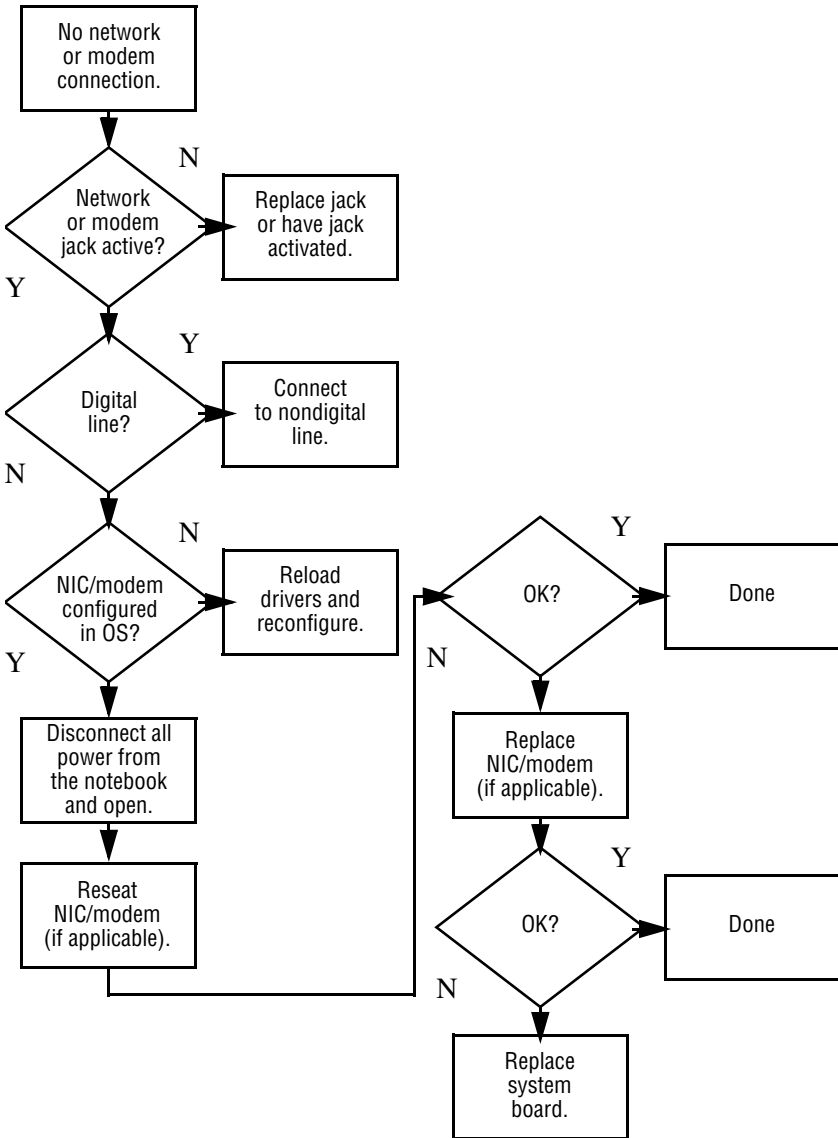
Flowchart 2.18—Nonfunctioning Keyboard



Flowchart 2.19—Nonfunctioning Pointing Device



Flowchart 2.20—No Network/Modem Connection

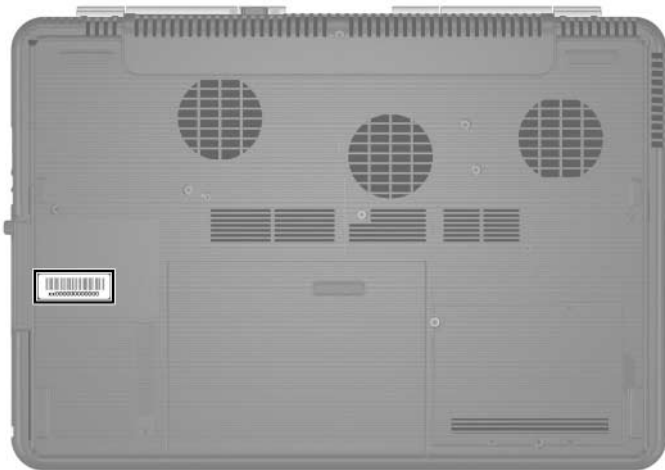


Illustrated Parts Catalog

This chapter provides an illustrated parts breakdown and a reference for spare part numbers and option part numbers.

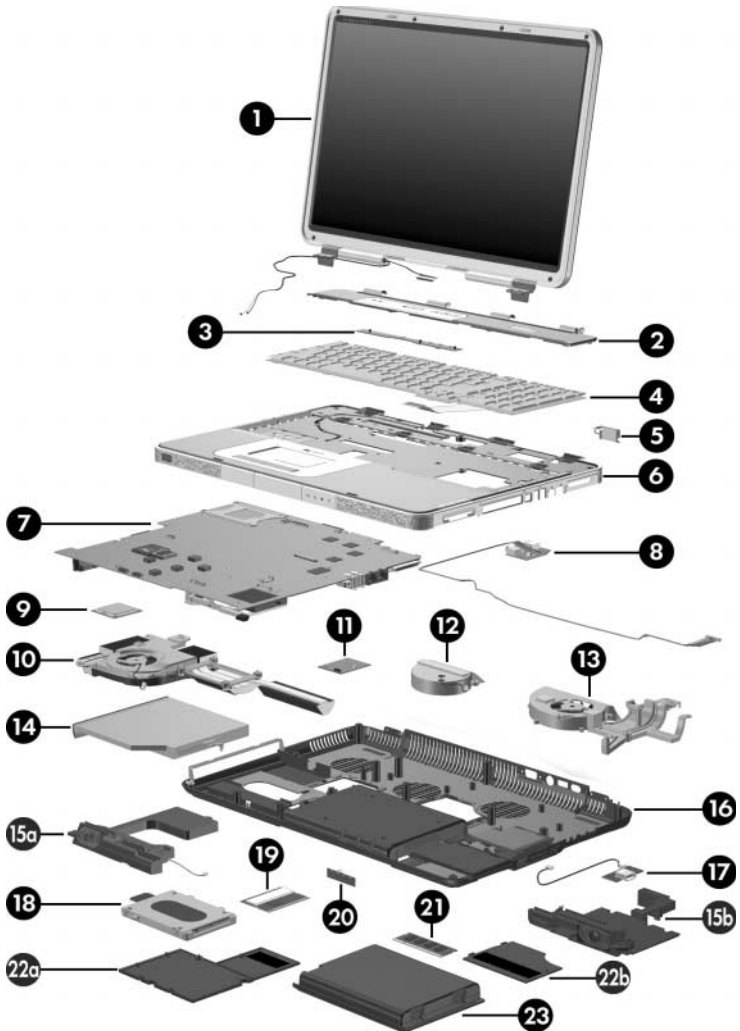
3.1 Serial Number Location

When ordering parts or requesting information, provide the notebook serial number and model number located on the bottom of the notebook.



Serial Number Location

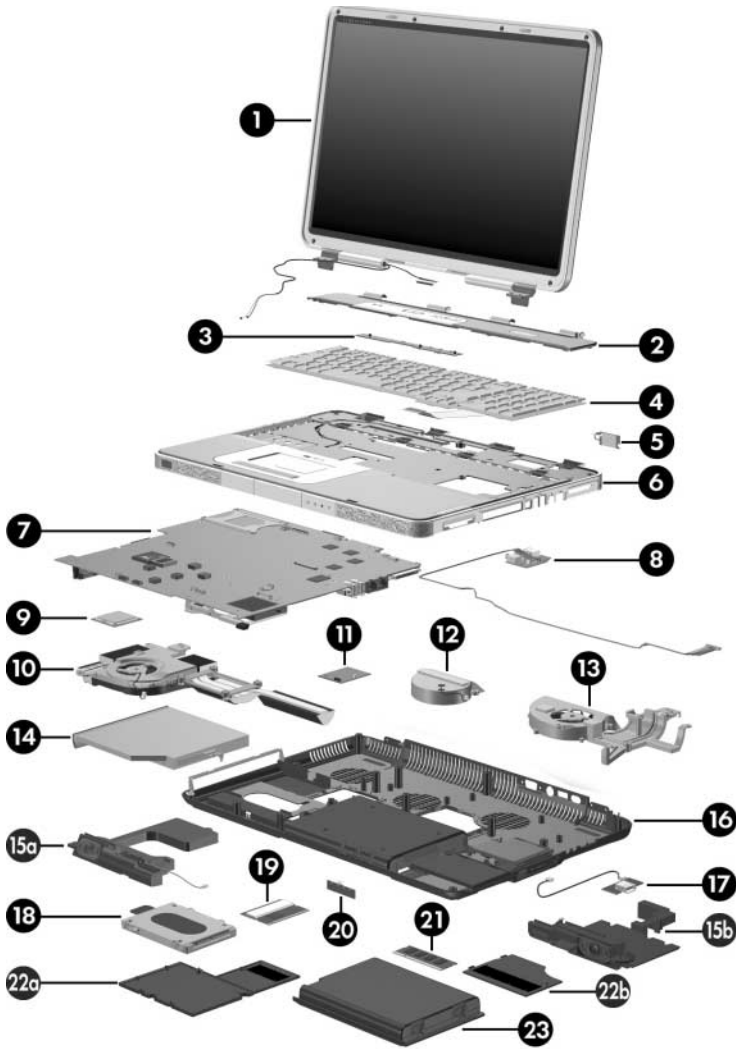
3.2 Notebook Major Components



Notebook Major Components

Table 3-1
Spare Parts: Notebook Major Components

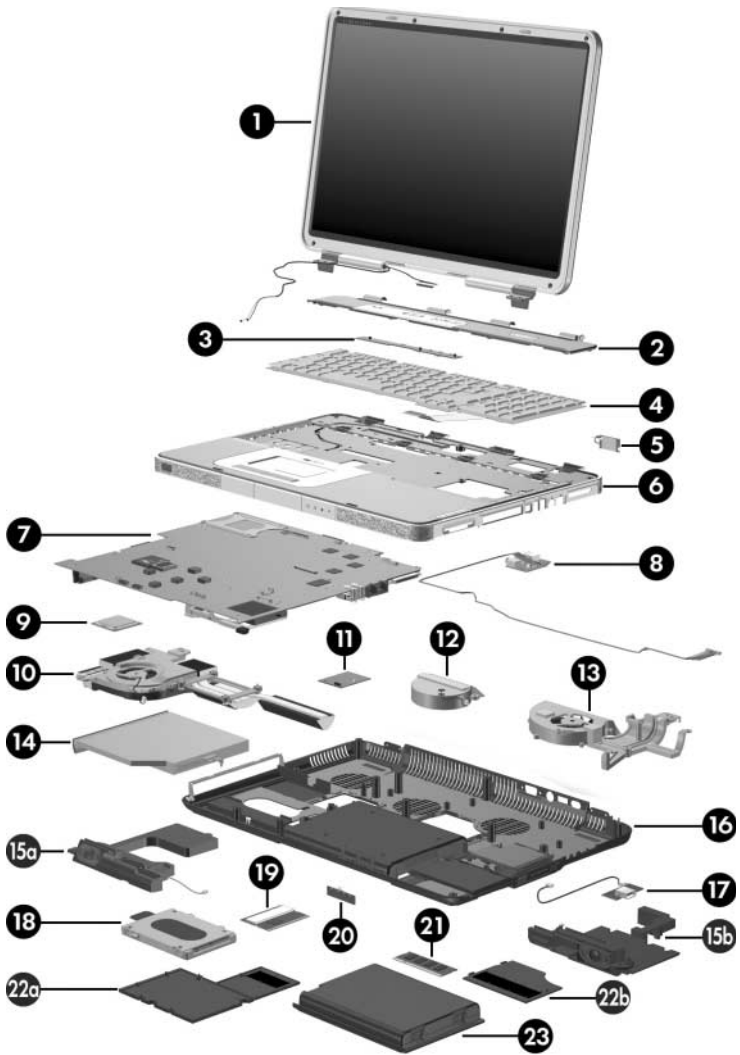
Item	Description	Spare Part Number
1	Display assemblies (include wireless antenna boards and cables)	
	For use only on Compaq Presario X6000 models	
	17.0-inch, WSXGA+WVA with Brightview	377217-001
	17.0-inch, WXGA+WVA with Brightview	377216-001
	17.0-inch, WXGA+WVA	377215-001
	For use only on HP Compaq nx9600 models	
	17.0-inch, WSXGA+WVA with Brightview	377219-001
	17.0-inch, WSXGA+WVA	377218-001
2	Switch covers	
	For use only on Compaq Presario X6000 models with wireless	374755-001
	For use only on Compaq Presario X6000 models without wireless	380445-001
	For use only on HP Compaq nx9600 models with wireless	378733-001
	For use only on HP Compaq nx9600 models without wireless	380446-001
3	LED Board (includes cable)	378772-001
4	Keyboards	
	For use only on Compaq Presario X6000 models in the United States	374742-001
	For use only on HP Compaq nx9600 models	
	Brazil 378520-201 Latin America	378520-161
	French Canada 378520-121 United States	378520-001



Notebook Major Components

Table 3-1**Spare Parts: Notebook Major Components (Continued)**

Item	Description	Spare Part Number
5	Broadcomm Bluetooth wireless card (includes cable)	376651-001
6	Top covers (include TouchPad) For use only on Compaq Presario X6000 notebook models For use only on HP Compaq nx9600 models	 374751-001 378770-001
7	System boards (include disk cell RTC battery) For use on Compaq Presario X6000 models (includes PC Card cage and expansion port bracket) M24P with 256 MB RAM M24P with 128 MB RAM M22P with 64 MB RAM For use on HP Compaq nx9600 models M24P with 128 MB RAM M22P with 64 MB RAM	 374711-001 374709-001 374707-001 377209-001 377208-001
8	Audio/USB board Audio/USB board cable (not illustrated)	 374761-001 433822-001
9	Processors (include thermal pad) Intel Pentium 4 560 (3.6-GHz) Intel Pentium 4 550 (3.4-GHz) Intel Pentium 4 540 (3.2-GHz) Intel Pentium 4 530 (3.0-GHz) Intel Pentium 4 520 (2.8-GHz)	 377213-001 374718-001 374717-001 374716-001 374715-001
10	Heat sink module (includes fan and thermal paste)	380031-001
11	Modem board	374758-001
12	Base enclosure small fan	380029-001
13	Base enclosure large fan	380028-001

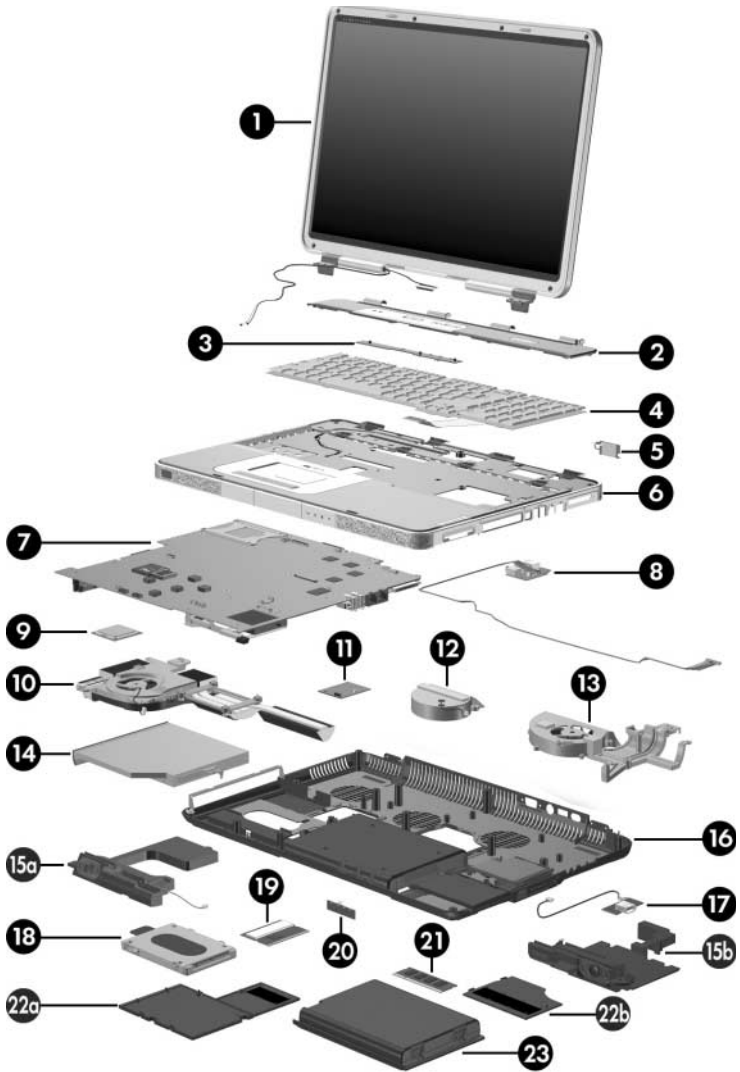


Notebook Major Components

Table 3-1

Spare Parts: Notebook Major Components (Continued)

Item	Description	Spare Part Number
14	Optical drives (include bezel)	
	For use only on Compaq Presario X6000 notebook models	
	8X DVD±RW/R and CD-RW Combo Drive	374738-001
	24X DVD/CD-RW Combo Drive	374736-001
	Dual Format, Double Layer	382080-001
	8X Dual Format, Light Scribe	383609-001
	For use only on HP Compaq nx9600 models	
	8X DVD±RW/R and CD-RW Combo Drive	378519-001
	24X DVD/CD-RW Combo Drive	378518-001
	8X Dual Format, Light Scribe	383610-001
	Speakers	378522-001
15a	Left	
15b	Right	
16	Base enclosure	374753-001
17	Digital drive board (includes cable)	374759-001
18	Hard drives (include frame)	
	7200-rpm	4200-rpm
	60-GB	100-GB
	374732-001	374730-001
	5400-rpm	80-GB
	100-GB	60-GB
	380258-001	374728-001
	80-GB	40-GB
	374731-001	378767-001



Notebook Major Components

Table 3-1**Spare Parts: Notebook Major Components (Continued)**

Item	Description	Spare Part Number
19	Mini PCI communications cards	
	802.11b/g, for use in most of the world (MOW)	373047-001
	802.11b/g, for use in the rest of the world (ROW)	373048-001
	802.11a/b/g combination card, for use in the United States	376650-001
20	Front panel LED board (includes cable)	378774-001
21	Memory modules (400-DDR)	
	1024-MB	374726-001
	512-MB	374725-001
	256-MB	374724-001
	Miscellaneous Plastics Kit	374747-001
	Includes:	
22a	Hard drive cover (includes 4 captive screws)	
22b	Memory module compartment cover (includes 2 captive screws)	
	Not illustrated:	
	Notebook feet	
	SD Card slot space saver	
	PC Card slot space saver	
23	Battery pack , 12-cell, 2.2-AHr	380443-001

3.3 Mass Storage Devices



Table 3-2
Spare Part Number Information

Item	Description	Spare Part Number
1	Optical drives	
	For use only on Compaq Presario X6000 notebook models	
	8X DVD±RW/R and CD-RW Combo Drive	374738-001
	24X DVD/CD-RW Combo Drive	374736-001
	Dual Format, Double Layer	382080-001
	8X Dual Format, Light Scribe	383609-001
	For use only on HP Compaq nx9600 models	
	8X DVD±RW/R and CD-RW Combo Drive	378519-001
	24X DVD/CD-RW Combo Drive	378518-001
	8X Dual Format, Light Scribe	383610-001
2	Hard drives (include frame)	
	7200-rpm	
	60-GB	374732-001
	5400-rpm	
	100-GB	380258-001
	80-GB	374731-001
	4200-rpm	
	100-GB	374730-001
	80-GB	374729-001
	60-GB	374728-001
	40-GB	378767-001
	USB digital drive (not illustrated)	364727-001
	USB 1.1 diskette drive (not illustrated)	344897-001

3.4 Miscellaneous Plastics Kit

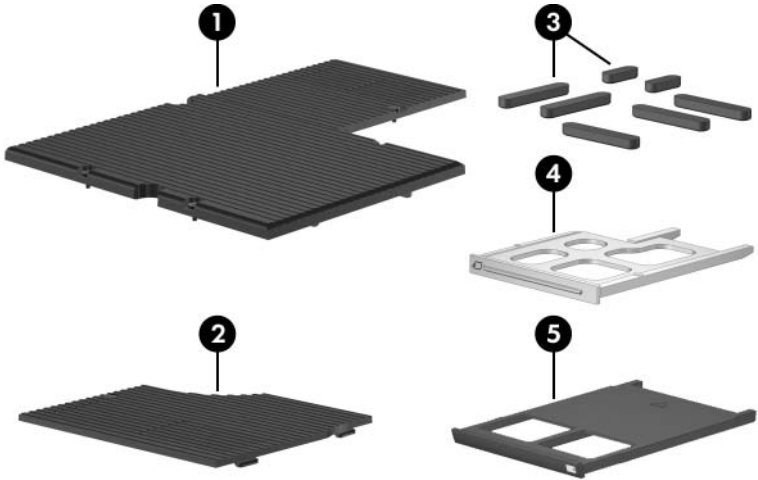


Table 3-3
Spare Part Number 374747-001

Item	Description	Spare Part Number
1	Hard drive cover (includes 4 captive screws)	
2	Memory module compartment cover (includes 2 captive screws)	
3	Notebook feet (7)	
4	SD Card slot space saver	
5	PC Card slot space saver	

3.5 Miscellaneous (Not Illustrated)

Table 3-4
Spare Part Information

Description	Spare Part Number
Logo Kits	
For use only on Compaq Presario X6000 models	374749-001
For use only on HP Compaq nx9600 models	378769-001
Wired headset with volume control	371693-001
USB travel mouse	309674-001
AC adapters	
180 watt, 3-wire plug, used with 345252-xxx power cords	374743-001
135 watt, 2-wire plug, used with 373979-xxx power cords – for use only on models with Intel Pentium 4 530 (3.0-GHz) and Intel Pentium 4 520 (2.8-GHz) processors	378768-001
Screw Kit (includes the following screws; refer to Appendix C, “Screw Listing,” for more information on screw specifications and usage)	374745-001
■ Phillips PM2.0×5.0 screw	■ Phillips PM2.0×3.0 screw
■ Phillips PM2.5×4.0 screw	■ Hex socket 5.0×9.0 screw lock
■ Phillips PM2.0×8.0 screw	■ Phillips PM2.0×4.0 screw
■ Phillips PM2.0×12.0 shoulder screw	■ Phillips PM1.5×3.5 screw

Table 3-4
Spare Part Information (*Continued*)

Description	Spare Part Number
Power cords (with 3-wire plug, used with 378768-001 AC adaptor)	
For use in:	
Australia and New Zealand	373979-011
Belgium, Europe, Finland, France, Germany, Greece, the Netherlands, Norway, Portugal, Spain, and Sweden	373979-021
Canada, French Canada, Latin America, Taiwan, Thailand, and the United States	373979-001
Denmark	373979-081
Hong Kong and the United Kingdom	373979-031
Italy	373979-061
People's Republic of China	373979-AA1
Switzerland	373979-111

Table 3-4
Spare Part Information (Continued)

Description	Spare Part Number
Power cords (with 3-wire plug, used with 374743-001 AC adaptor)	
For use in:	
Australia and New Zealand	345252-011
Brazil	345252-201
Belgium, Europe, Finland, France, Germany, Greece, the Netherlands, Norway, Portugal, Spain, and Sweden	345252-021
Canada, French Canada, Latin America, Taiwan, Thailand, and the United States	345252-001
Denmark	345252-081
Hong Kong and the United Kingdom	345252-031
Italy	345252-061
People's Republic of China	345252-AA1
Switzerland	345252-111

3.6 Sequential Part Number Listing

Table 3-5
Sequential Part Number Listing

Spare Part Number	Description
309674-001	USB travel mouse
345252-001	Power cord, with 3-wire plug, used with 374743-001 AC adaptor, for use only in Canada, French Canada, Latin America, Taiwan, Thailand, and the United States
345252-011	Power cord, with 3-wire plug, used with 374743-001 AC adaptor, for use only in Australia and New Zealand
345252-021	Power cord, with 3-wire plug, used with 374743-001 AC adaptor, for use only in Belgium, Europe, Finland, France, Germany, Greece, the Netherlands, Norway, Portugal, Spain, and Sweden
345252-031	Power cord, with 3-wire plug, used with 374743-001 AC adaptor, for use only in Hong Kong and the United Kingdom
345252-061	Power cord, with 3-wire plug, used with 374743-001 AC adaptor, for use only in Italy
345252-081	Power cord, with 3-wire plug, used with 374743-001 AC adaptor, for use only in Denmark
345252-111	Power cord, with 3-wire plug, used with 374743-001 AC adaptor, for use only in Switzerland
345252-201	Power cord, with 3-wire plug, used with 374743-001 AC adaptor, for use only in Brazil

Table 3-5
Sequential Part Number Listing (*Continued*)

Spare Part Number	Description
345252-AA1	Power cord, with 3-wire plug, used with 374743-001 AC adaptor, for use only in the People's Republic of China
371693-001	Wired headset with volume control
373047-001	Mini PCI communications card, 802.11b/g, for use in most of the world (MOW)
373048-001	Mini PCI communications card, 802.11b/g, for use in the rest of the world (ROW)
373979-001	Power cord, with 3-wire plug, used with 378768-001 AC adaptor, for use only in Canada, French Canada, Latin America, Taiwan, Thailand, and the United States
373979-011	Power cord, with 3-wire plug, used with 378768-001 AC adaptor, for use only in Australia and New Zealand
373979-021	Power cord, with 3-wire plug, used with 378768-001 AC adaptor, for use only in Belgium, Europe, Finland, France, Germany, Greece, the Netherlands, Norway, Portugal, Spain, and Sweden
373979-031	Power cord, with 3-wire plug, used with 378768-001 AC adaptor, for use only in Hong Kong and the United Kingdom
373979-061	Power cord, with 3-wire plug, used with 378768-001 AC adaptor, for use only in Italy
373979-081	Power cord, with 3-wire plug, used with 378768-001 AC adaptor, for use only in Denmark

Table 3-5
Sequential Part Number Listing (*Continued*)

Spare Part Number	Description
373979-111	Power cord, with 3-wire plug, used with 378768-001 AC adaptor, for use only in Switzerland
373979-AA1	Power cord, with 3-wire plug, used with 378768-001 AC adaptor, for use only in the People's Republic of China
374707-001	System board, M22P with 64 MB RAM, for use on Compaq Presario X6000 models (includes disk cell RTC battery, PC Card cage, and expansion port bracket)
374709-001	System board, M24P with 128 MB RAM, for use on Compaq Presario X6000 models (includes disk cell RTC battery, PC Card cage, and expansion port bracket)
374711-001	System board, M24P with 256 MB RAM, for use on Compaq Presario X6000 models (includes disk cell RTC battery, PC Card cage, and expansion port bracket)
374715-001	Processor, Intel Pentium 4 520 (2.8-GHz, includes thermal pad)
374716-001	Processor, Intel Pentium 4 530 (3.0-GHz, includes thermal pad)
374717-001	Processor, Intel Pentium 4 540 (3.2-GHz, includes thermal pad)
374718-001	Processor, Intel Pentium 4 550 (3.4-GHz, includes thermal pad)
374724-001	Memory module, 400 DDR, 256-MB

Table 3-5
Sequential Part Number Listing (*Continued*)

Spare Part Number	Description
374725-001	Memory module, 400 DDR, 512-MB
374726-001	Memory module, 400 DDR, 1024-MB
374728-001	Hard drive, 4200-rpm, 60-GB, (includes frame)
374729-001	Hard drive, 4200-rpm, 80-GB, (includes frame)
374730-001	Hard drive, 4200-rpm, 100-GB, (includes frame)
374731-001	Hard drive, 5400-rpm, 80-GB, (includes frame)
374732-001	Hard drive, 7200-rpm, 60-GB, (includes frame)
374736-001	24X DVD/CD-RW Combo Drive, for use only on Compaq Presario X6000 notebook models
374738-001	8X DVD±RW/R and CD-RW Combo Drive, for use only on Compaq Presario X6000 notebook models
374742-001	Keyboard, for use only on Compaq Presario X6000 models in the United States
374743-001	AC adapter, 180 watt, 3-wire plug, used with 345252-xxx power cords
374745-001	Screw Kit (includes the following screws; refer to Appendix C, "Screw Listing," for more information on screw specifications and usage)
374747-001	Miscellaneous Plastics Kit
374749-001	Logo Kit, for use only on Compaq Presario X6000 notebook models

Table 3-5
Sequential Part Number Listing (*Continued*)

Spare Part Number	Description
374751-001	Top cover, for use only on Compaq Presario X6000 notebook models (includes TouchPad)
374753-001	Base enclosure
374755-001	Switch cover, for use only on Compaq Presario X6000 models with wireless
374758-001	Modem board
374759-001	Digital drive board (includes cable)
374761-001	Audio/USB board
376650-001	Mini PCI communications card, 802.11a/b/g combination card, for use in the United States
376651-001	Broadcomm Bluetooth wireless card (includes cable)
377208-001	System board, M22P with 64 MB RAM, for use on HP Compaq nx9600 models (includes disk cell RTC battery)
377209-001	System board, M24P with 128 MB RAM, for use on HP Compaq nx9600 models (includes disk cell RTC battery)
377213-001	Processor, Intel Pentium 4 560 (3.6-GHz, includes thermal pad)
377215-001	Display assembly, 17.0-inch, WXGA+, for use only on Compaq Presario X6000 notebook models (includes wireless antenna boards and cables)
377216-001	Display assembly, 17.0-inch, WXGA+ with Brightview, for use only on Compaq Presario X6000 notebook models (includes wireless antenna boards and cables)

Table 3-5
Sequential Part Number Listing (*Continued*)

Spare Part Number	Description
377217-001	Display assembly, 17.0-inch, WSXGA+ with Brightview, for use only on Compaq Presario X6000 notebook models (includes wireless antenna boards and cables)
377218-001	Display assembly, 17.0-inch, WSXGA+, for use only on HP Compaq nx9600 models (includes wireless antenna boards and cables)
377219-001	Display assembly, 17.0-inch, WSXGA+ with Brightview, for use only on HP Compaq nx9600 models (includes wireless antenna boards and cables)
378518-001	24X DVD/CD-RW Combo Drive, for use only on HP Compaq Presario nx9600 models
378519-001	8X DVD±RW/R and CD-RW Combo Drive, for use only on HP Compaq Presario nx9600 models
378520-001	Keyboard, for use only on HP Compaq nx9600 models United States
378520-121	Keyboard, for use only on HP Compaq nx9600 models French Canada
378520-161	Keyboard, for use only on HP Compaq nx9600 models Latin America
378520-201	Keyboard, for use only on HP Compaq nx9600 models Brazil
378522-001	Speakers, left and right
378733-001	Switch cover, for use only on HP Compaq nx9600 models with wireless
378767-001	Hard drive, 4200-rpm, 40-GB, (includes frame)

Table 3-5
Sequential Part Number Listing (*Continued*)

Spare Part Number	Description
378768-001	AC adapter, 135 watt, 2-wire plug, used with 373979-xxx power cords – for use only on models with Intel Pentium 4 530 (3.0-GHz) and Intel Pentium 4 520 (2.8-GHz) processors
378769-001	Logo Kit, for use only on HP Compaq nx9600 models
378770-001	Top cover, for use only on HP Compaq nx9600 notebook models (includes TouchPad)
378772-001	LED Board (includes cable)
378774-001	Front panel LED board (includes cable)
380028-001	Base enclosure large fan
380029-001	Base enclosure small fan
380031-001	Heat sink module (includes fan and thermal paste)
380258-001	Hard drive, 5400-rpm, 100-GB, (includes frame)
380443-001	Battery pack, 12-cell, 2.2-AHr
380445-001	Switch cover, for use only on Compaq Presario X6000 models without wireless
380446-001	Switch cover, for use only on HP Compaq nx9600 models with wireless
382080-001	Dual Format, Double Layer optical drive, for use only on Compaq Presario X6000 notebook models
383609-001	8X Dual Format, Light Scribe, for use only on Compaq Presario X6000 notebook models
383610-001	8X Dual Format, Light Scribe optical drive, for use only on HP Compaq nx9600 models
433822-001	Audio/USB board cable

Removal and Replacement Preliminaries

This chapter provides essential information for proper and safe removal and replacement service.

4.1 Tools Required

You will need the following tools to complete the removal and replacement procedures:

- Magnetic screwdriver
- Phillips P0 screwdriver
- 5.0-mm socket for system board screwlocks
- Flat-bladed screwdriver
- Tool kit—includes connector removal tool, loopback plugs, and case utility tool

4.2 Service Considerations

The following sections include some of the considerations that you should keep in mind during disassembly and assembly procedures.



As you remove each subassembly from the notebook, place the subassembly (and all accompanying screws) away from the work area to prevent damage.

Plastic Parts

Using excessive force during disassembly and reassembly can damage plastic parts. Use care when handling the plastic parts. Apply pressure only at the points designated in the maintenance instructions.

Cables and Connectors



CAUTION: When servicing the notebook, ensure that cables are placed in their proper locations during the reassembly process. Improper cable placement can damage the notebook.

Cables must be handled with extreme care to avoid damage. Apply only the tension required to unseat or seat the cables during removal and insertion. Handle cables by the connector whenever possible. In all cases, avoid bending, twisting, or tearing cables. Ensure that cables are routed in such a way that they cannot be caught or snagged by parts being removed or replaced. Handle flex cables with extreme care; these cables tear easily.

4.3 Preventing Damage to Removable Drives

Removable drives are fragile components that must be handled with care. To prevent damage to the notebook, damage to a removable drive, or loss of information, observe the following precautions:

- Before removing or inserting a hard drive, shut down the notebook. If you are unsure whether the notebook is off or in hibernation, turn the notebook on, and then shut it down through the operating system.
- Before removing a diskette drive or optical drive, ensure that a diskette or disc is not in the drive and ensure that the optical drive tray is closed.
- Before handling a drive, ensure that you are discharged of static electricity. While handling a drive, avoid touching the connector.
- Handle drives on surfaces covered with at least one inch of shock-proof foam.
- Avoid dropping drives from any height onto any surface.
- After removing a hard drive, an optical drive, or a diskette drive, place it in a static-proof bag.
- Avoid exposing a hard drive to products that have magnetic fields, such as monitors or speakers.
- Avoid exposing a drive to temperature extremes or liquids.
- If a drive must be mailed, place the drive in a bubble pack mailer or other suitable form of protective packaging and label the package “FRAGILE: Handle With Care.”

4.4 Preventing Electrostatic Damage

Many electronic components are sensitive to electrostatic discharge (ESD). Circuitry design and structure determine the degree of sensitivity. Networks built into many integrated circuits provide some protection, but in many cases, the discharge contains enough power to alter device parameters or melt silicon junctions.

A sudden discharge of static electricity from a finger or other conductor can destroy static-sensitive devices or microcircuitry. Often the spark is neither felt nor heard, but damage occurs.

An electronic device exposed to electrostatic discharge might not be affected at all and can work perfectly throughout a normal cycle. Or the device might function normally for a while, then degrade in the internal layers, reducing its life expectancy.

4.5 Packaging and Transporting Precautions

Use the following grounding precautions when packaging and transporting equipment:

- To avoid hand contact, transport products in static-safe containers, such as tubes, bags, or boxes.
- Protect all electrostatic-sensitive parts and assemblies with conductive or approved containers or packaging.
- Keep electrostatic-sensitive parts in their containers until the parts arrive at static-free workstations.
- Place items on a grounded surface before removing items from their containers.
- Always be properly grounded when touching a sensitive component or assembly.
- Store reusable electrostatic-sensitive parts from assemblies in protective packaging or nonconductive foam.
- Use transporters and conveyors made of antistatic belts and roller bushings. Ensure that mechanized equipment used for moving materials is wired to ground and that proper materials are selected to avoid static charging. When grounding is not possible, use an ionizer to dissipate electric charges.

4.6 Workstation Precautions

Use the following grounding precautions at workstations:

- Cover the workstation with approved static-shielding material (refer to [Table 4-2, “Static-Shielding Materials”](#)).
- Use a wrist strap connected to a properly grounded work surface and use properly grounded tools and equipment.
- Use conductive field service tools, such as cutters, screwdrivers, and vacuums.
- When fixtures must directly contact dissipative surfaces, use fixtures made only of static-safe materials.
- Keep the work area free of nonconductive materials, such as ordinary plastic assembly aids and Styrofoam.
- Handle electrostatic-sensitive components, parts, and assemblies by the case or PCM laminate. Handle these items only at static-free workstations.
- Avoid contact with pins, leads, or circuitry.
- Turn off power and input signals before inserting or removing connectors or test equipment.

4.7 Grounding Equipment and Methods

Grounding equipment must include either a wrist strap or a foot strap at a grounded workstation.

- When seated, wear a wrist strap connected to a grounded system. Wrist straps are flexible straps with a minimum of one megohm $\pm 10\%$ resistance in the ground cords. To provide proper ground, wear a strap snugly against the skin at all times. On grounded mats with banana-plug connectors, use alligator clips to connect a wrist strap.
- When standing, use foot straps and a grounded floor mat. Foot straps (heel, toe, or boot straps) can be used at standing workstations and are compatible with most types of shoes or boots. On conductive floors or dissipative floor mats, use foot straps on both feet with a minimum of one megohm resistance between the operator and ground. To be effective, the conductive strips must be worn in contact with the skin.

Other grounding equipment recommended for use in preventing electrostatic damage includes

- Antistatic tape.
- Antistatic smocks, aprons, and sleeve protectors.
- Conductive bins and other assembly or soldering aids.
- Nonconductive foam.
- Conductive tabletop workstations with ground cords of one megohm resistance.
- Static-dissipative tables or floor mats with hard ties to the ground.
- Field service kits.
- Static awareness labels.
- Material-handling packages.
- Nonconductive plastic bags, tubes, or boxes.
- Metal tote boxes.
- Electrostatic voltage levels and protective materials.

Table 4-1 shows how humidity affects the electrostatic voltage levels generated by different activities.

Table 4-1
Typical Electrostatic Voltage Levels

Event	Relative Humidity		
	10%	40%	55%
Walking across carpet	35,000 V	15,000 V	7,500 V
Walking across vinyl floor	12,000 V	5,000 V	3,000 V
Motions of bench worker	6,000 V	800 V	400 V
Removing DIPS from plastic tube	2,000 V	700 V	400 V
Removing DIPS from vinyl tray	11,500 V	4,000 V	2,000 V
Removing DIPS from Styrofoam	14,500 V	5,000 V	3,500 V
Removing bubble pack from PCB	26,500 V	20,000 V	7,000 V
Packing PCBs in foam-lined box	21,000 V	11,000 V	5,000 V



A product can be degraded by as little as 700 V.

Table 4-2 lists the shielding protection provided by antistatic bags and floor mats.

Table 4-2
Static-Shielding Materials

Material	Use	Voltage Protection Level
Antistatic plastic	Bags	1,500 V
Carbon-loaded plastic	Floor mats	7,500 V
Metallized laminate	Floor mats	5,000 V

5

Removal and Replacement Procedures

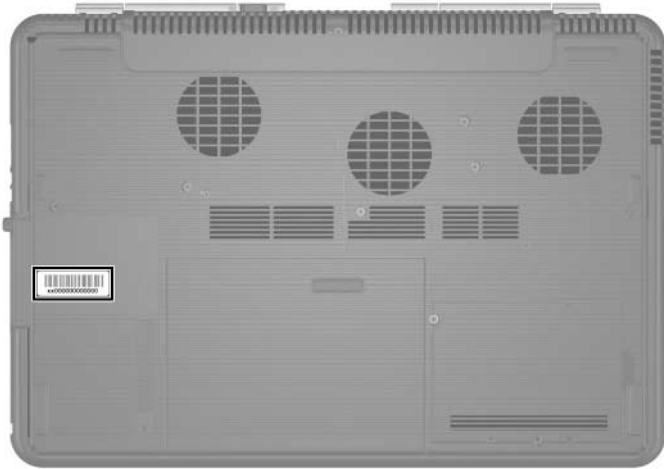
This chapter provides removal and replacement procedures.

There are 78 screws and screw locks, in 11 different sizes, that must be removed, replaced, or loosened when servicing the notebook. Make special note of each screw size and location during removal and replacement.

Refer to [Appendix C, “Screw Listing.”](#) for detailed information on screw sizes, locations, and usage.

5.1 Serial Number


Report the notebook serial number to HP when requesting information or ordering spare parts. The serial number is located on the bottom of the notebook.



Serial Number Location

5.2 Disassembly Sequence Chart

Use the chart below to determine the section number to be referenced when removing notebook components.

Disassembly Sequence Chart		
Section	Description	# of Screws Removed
5.3	Preparing the notebook for disassembly	
	Battery pack	0
	Hard drive	4 to remove hard drive cover 0 to remove hard drive 4 to disassemble hard drive
5.4	Notebook feet	0
5.5	Optical drive	1
5.6	Memory module	1 loosened
5.7	Mini PCI communications card	4 to remove hard drive cover
	 To prevent an unresponsive system and the display of a warning message, install only a Mini PCI device authorized for use in your notebook by the governmental agency that regulates wireless devices in your country. If you install a device and then receive a warning message, remove the device to restore notebook functionality. Then contact Customer Care.	
5.8	Switch cover	3

Disassembly Sequence Chart (*Continued*)

Section	Description	# of Screws Removed
5.9	LED board	3
5.10	Keyboard	2
5.11	Display assembly	8
5.12	Top cover	15
5.13	Front panel LED board	0
5.14	Audio/USB board	2
5.15	Bluetooth board	0
5.16	System board	Compaq Presario X6000 models: 2 screw locks and 13 screws HP Compaq nx9600 models: 2 screw locks and 7 screws
5.17	Digital drive board	2
5.18	Speakers	2 on left speaker 2 on right speaker
5.19	Base enclosure fans	2 on left fan 3 on right fan
5.20	Modem board	1
5.21	Heat sink module	4
5.22	Processor	0

5.3 Preparing the Notebook for Disassembly

Before you begin any removal or installation procedures:

1. Shut down the notebook. If you are unsure whether the notebook is off or in hibernation, turn the computer on, and then shut it down through the operating system.
2. Disconnect all external devices connected to the notebook.
3. Disconnect the power cord.

Battery Pack Spare Part Number Information

Battery pack, 12-cell, 2.2-AHr

380443-001

4. Remove the battery pack by following these steps:
 - a. Turn the notebook upside down with the right side toward you.

- b. Slide and hold the battery release latch **1** toward the front of the notebook. (The left edge of the battery pack disengages from the notebook.)
- c. Lift the right edge of the battery pack up and swing it to the left **2**.
- d. Remove the battery pack.



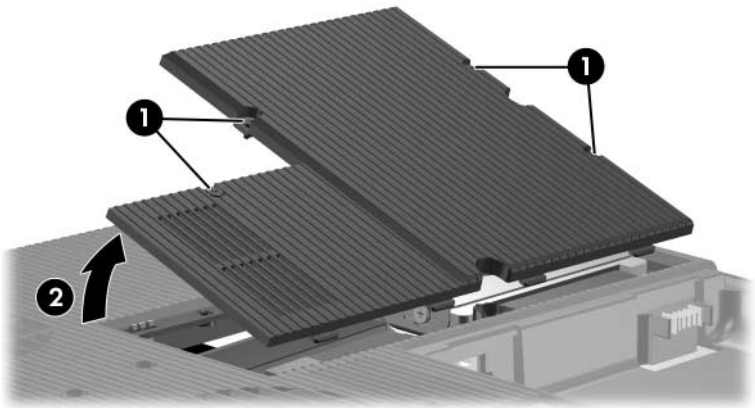
Removing the Battery Pack

Reverse the above procedure to install the battery pack.

5. Remove the hard drive by following these steps:
 - a. Loosen the four PM2.0×5.0 screws ❶ that secure the hard drive cover to the notebook.
 - b. Remove the hard drive cover ❷.



The hard drive cover is included in the Miscellaneous Plastics Kit, spare part number 374747-001.

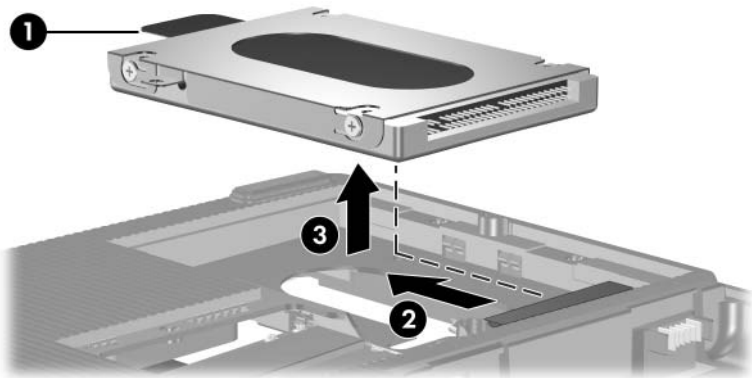


Removing the Hard Drive Cover

Hard Drive Spare Part Number Information

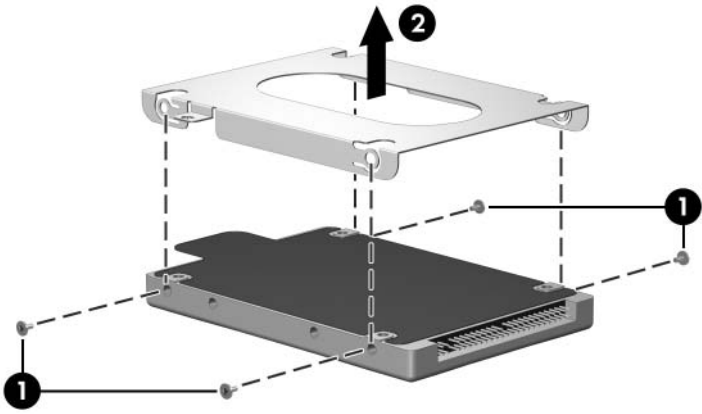
7200-rpm	
60-GB	374732-001
5400-rpm	
100-GB	380258-001
80-GB	374731-001
4200-rpm	
100-GB	374730-001
80-GB	374729-001
60-GB	374728-001
40-GB	378767-001

- c. Grasp the mylar tab ❶ on the left side of the hard drive and slide the hard drive to the left ❷ to disconnect it from the system board.
- d. Remove the hard drive ❸.



Removing the Hard Drive

- e. Remove the four PM2.5×4.0 screws ❶ that secure the hard drive frame to the hard drive.
- f. Lift the frame straight up ❷ to remove it from the hard drive.

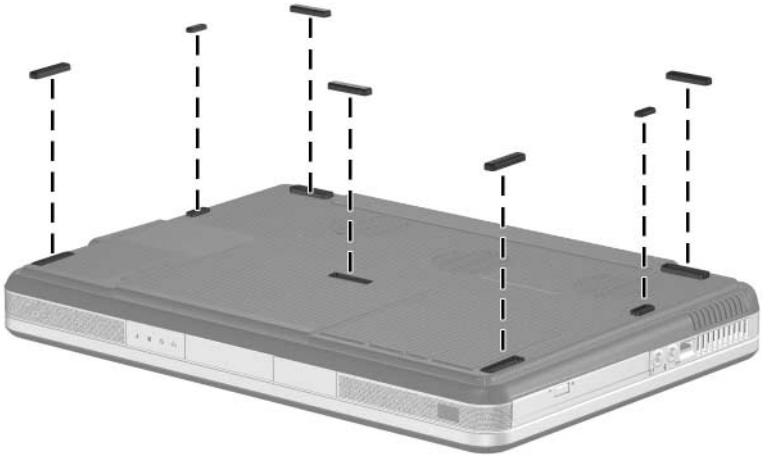


Removing the Hard Drive Frame and Connector

Reverse the above procedure to install and reassemble the hard drive.

5.4 Notebook Feet

The notebook feet are adhesive-backed rubber pads. The feet are included in the Miscellaneous Plastics Kit, spare part number 374747-001.



Replacing the Notebook Feet

5.5 Optical Drive

Spare Part Number Information

For use only on Compaq Presario X6000 notebook models

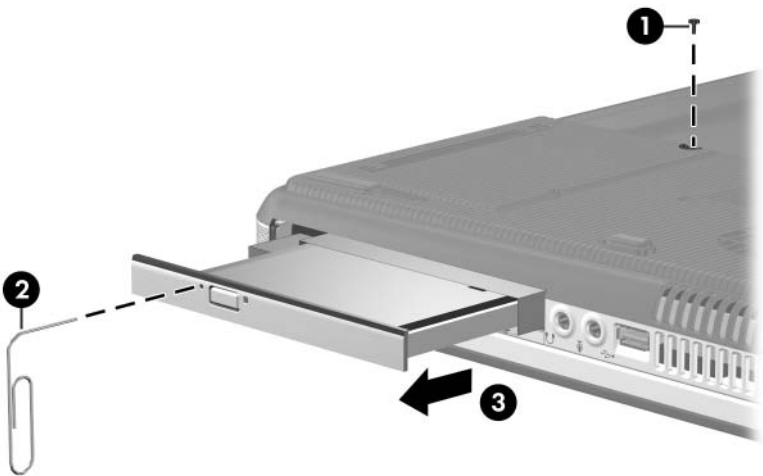
8X DVD±RW/R and CD-RW Combo Drive	374738-001
24X DVD/CD-RW Combo Drive	374736-001
Dual Format, Double Layer	382080-001
8X Dual Format, Light Scribe	383609-001

For use only on HP Compaq nx9600 models

8X DVD±RW/R and CD-RW Combo Drive	378519-001
24X DVD/CD-RW Combo Drive	378518-001
8X Dual Format, Light Scribe	383610-001

1. Prepare the notebook for disassembly (refer to [Section 5.3](#)).

2. Remove the PM2.0x8.0 screw ❶ that secures the optical drive to the notebook.
3. Insert a thin tool, such as a paper clip, into the media tray release hole ❷. (The optical drive media tray releases from the optical drive.)
4. Use the media tray frame to slide the optical drive outward ❸.
5. Remove the optical drive.



Removing the Optical Drive

Reverse the above procedure to install an optical drive.

5.6 Memory Module

Spare Part Number Information

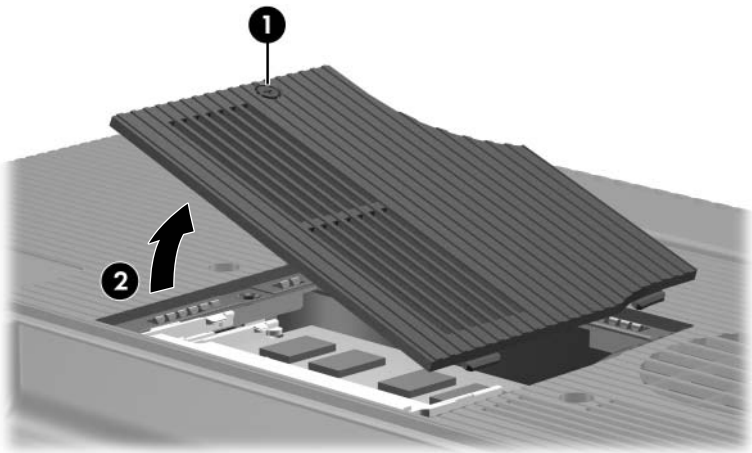
1024-MB	374726-001
512-MB	374725-001
256-MB	374724-001

1. Prepare the notebook for disassembly (refer to [Section 5.3](#)).

2. Loosen the PM2.0×5.0 screw ❶ that secures the memory module compartment cover to the notebook.
3. Lift the left edge of the cover up and swing it to the right ❷.
4. Remove the memory module compartment cover.



The memory module compartment cover is included in the Miscellaneous Plastics Kit, spare part number 374747-001.

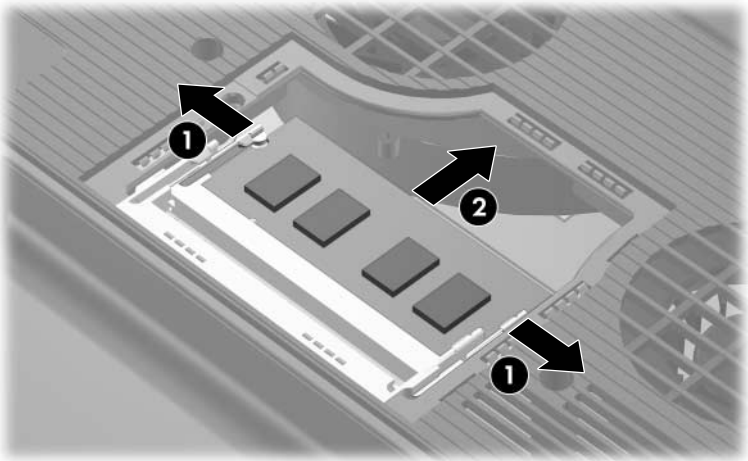


Removing the Memory Module Compartment Cover

5. Spread the retaining tabs **1** on each side of the memory module socket to release the memory module board. (The back edge side of the board rises away from the notebook.)
6. Slide the module away from the socket at an angle **2**.
7. Remove the memory module board.



Note that memory modules are slotted to prevent incorrect installation into the memory module socket.



Removing the Memory Module

Reverse the above procedure to install a memory module.

5.7 Mini PCI Communications Card

Spare Part Number Information

802.11b/g, for use in most of the world (MOW)	373047-001
802.11b/g, for use in the rest of the world (ROW)	373048-001
802.11a/b/g combination card, for use in the United States	376650-001

1. Prepare the notebook for disassembly (refer to [Section 5.3](#)).
2. Remove the hard drive cover (refer to [Section 5.3](#)).

3. Disconnect the auxiliary and main ❶ antenna cables from the Mini PCI communications card.

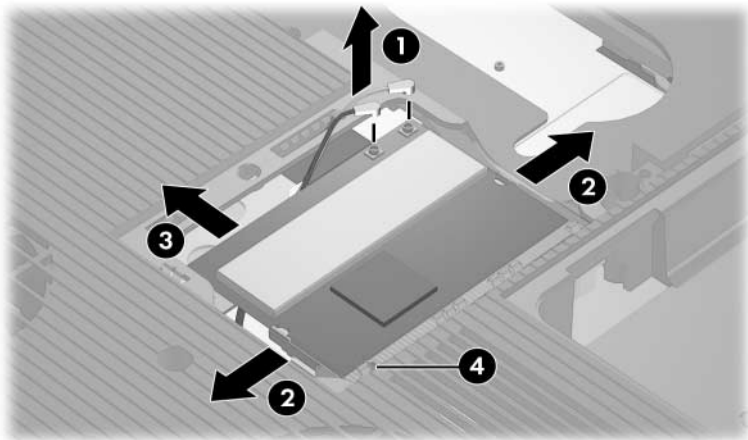


Make note of which wireless antenna cable is attached to which antenna clip on the Mini PCI communications card before disconnecting the cables.

4. Spread the retaining tabs ❷ on each side of the Mini PCI socket to release the Mini PCI card. (The right edge of the card rises away from the notebook.)
5. Remove the wireless communications card by pulling the board away from the socket at a 45-degree angle ❸.



Note that the Mini PCI communications card is slotted ❹ to prevent incorrect installation.



Removing a Mini PCI Communications Card

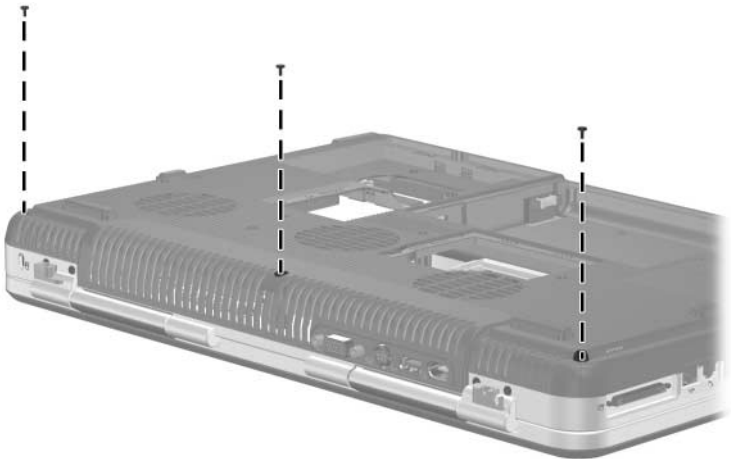
Reverse the above procedure to install a Mini PCI communications card.

5.8 Switch Cover

Spare Part Number Information

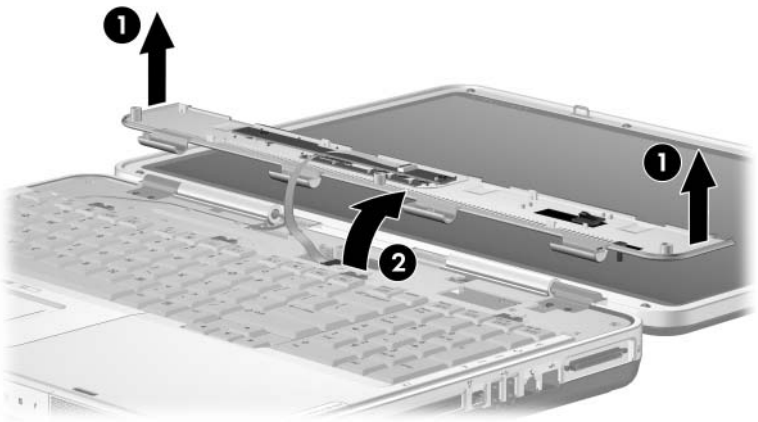
For use only on Compaq Presario X6000 models with wireless	374755-001
For use only on Compaq Presario X6000 models without wireless	380445-001
For use only on HP Compaq nx9600 models with wireless	378733-001
For use only on HP Compaq nx9600 models without wireless	380446-001

1. Prepare the notebook for disassembly (refer to [Section 5.3](#)).
2. Position the notebook with the rear panel toward you.
3. Remove the three PM2.0×8.0 screws from the bottom of the notebook that secure the switch cover to the notebook.



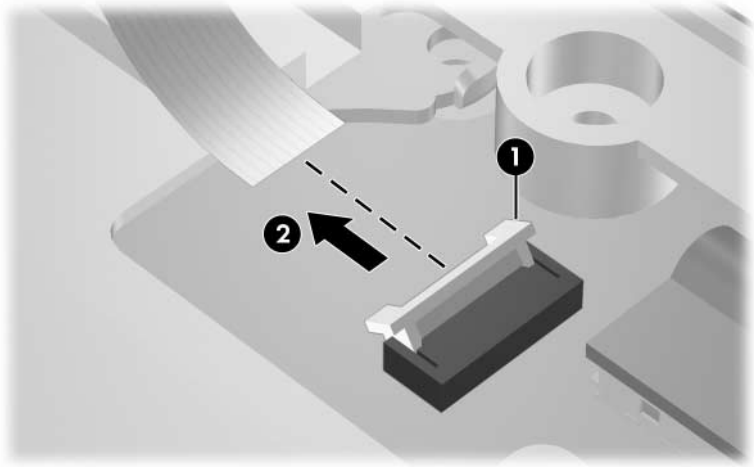
Removing the Switch Cover Screws

4. Turn the notebook display-side up with the front panel toward you.
5. Open the notebook as far as possible.
6. Lift up the left and right sides of the switch cover ❶ to detach it from the notebook.
7. Lift the front edge of the switch cover and swing it back until it rests on the display bezel ❷.



Releasing the Switch Cover

8. Release the zero insertion force (ZIF) connector ❶ to which the LED board cable is attached and disconnect the cable ❷ from the system board.



Disconnecting the LED Cable

9. Remove the switch cover.
Reverse the above procedure to install the switch cover.

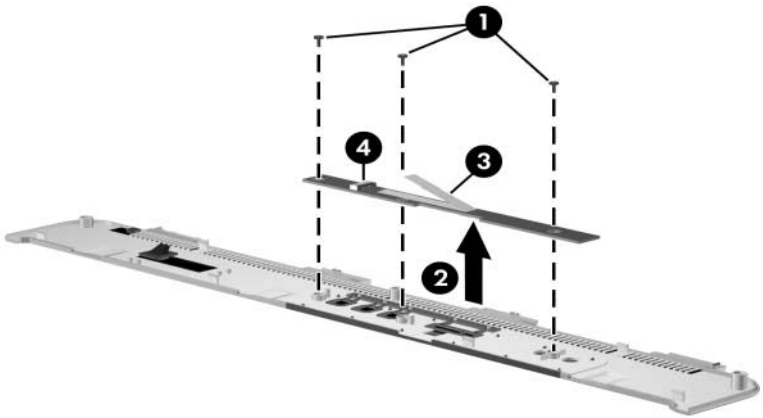
5.9 LED Board

Spare Part Number Information

LED board (includes cable)

378772-001

1. Prepare the notebook for disassembly (refer to [Section 5.3](#)).
2. Remove the switch cover (refer to [Section 5.8](#)).
3. Remove the three PM2.0×3.0 screws **1** that secure the LED board to the switch cover.
4. Remove the LED board **2**.
5. Release the ZIF connector **3** to which the LED board cable is connected and disconnect the cable **4**.



Removing the LED Board

Reverse the above procedure to install the LED board.

5.10 Keyboard

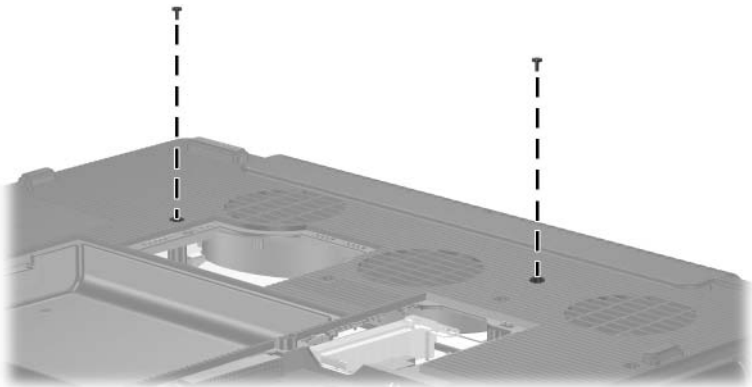
Spare Part Number Information

For use only on Compaq Presario X6000 models in the United States 374742-001

For use only on HP Compaq nx9600 models

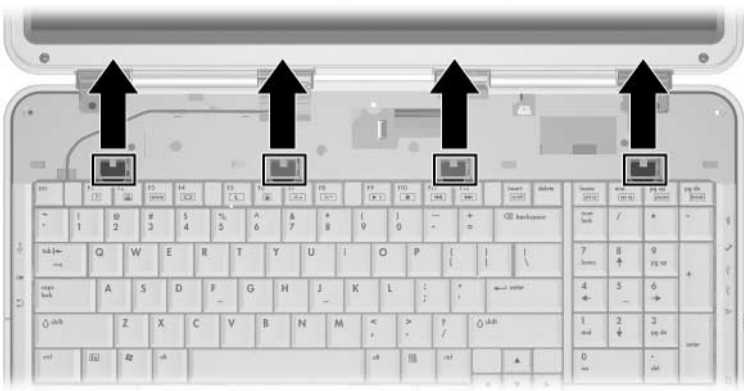
Brazil	378520-201	Latin America	378520-161
French Canada	378520-121	United States	378520-001

1. Prepare the notebook for disassembly (refer to [Section 5.3](#)).
2. Remove the switch cover (refer to [Section 5.8](#)).
3. Turn the notebook upside down with the front panel toward you.
4. Remove the two PM2.0×8.0 screws that secure the keyboard to the notebook.



Removing the Keyboard Screws

5. Turn the notebook display-side up with the front panel toward you.
6. Open the notebook as far as possible.
7. Use a flat-bladed tool to push back the four keyboard retention tabs. The tabs are located above the **f1** and **f2** keys, above the **f6** and **f7** keys, above the **f11** and **f12** keys, and above the **end** and **pg up** keys.



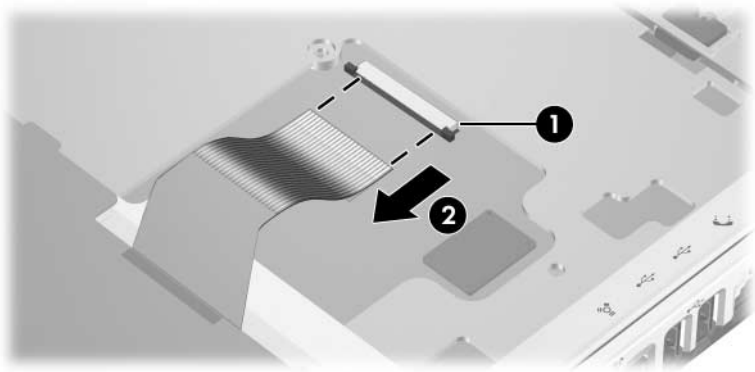
Releasing the Keyboard, Part 1

8. Lift the rear edge of the keyboard and swing it forward until it rests on the palm rest.



Releasing the Keyboard, Part 2

9. Release the zero insertion force (ZIF) connector **1** to which the keyboard cable is connected and disconnect the keyboard cable **2** from the system board.
10. Remove the keyboard.



Disconnecting the the Keyboard Cable

Reverse the above procedure to install the keyboard.

5.11 Display Assembly

Spare Part Number Information

For use only on Compaq Presario X6000 notebook models
(includes wireless antenna boards and cables)

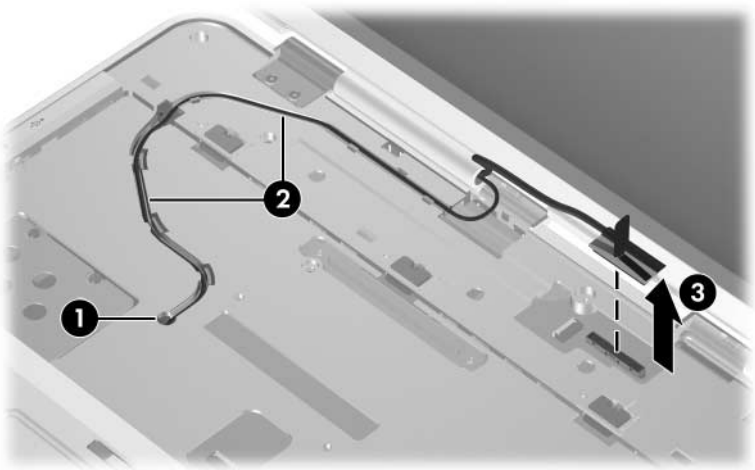
17.0-inch, WSXGA+ with Brightview	377217-001
17.0-inch, WXGA+ with Brightview	377216-001
17.0-inch, WXGA+	377215-001

For use only on HP Compaq nx9600 models (includes
wireless antenna boards and cables)

17.0-inch, WSXGA+ with Brightview	377219-001
17.0-inch, WSXGA+	377218-001

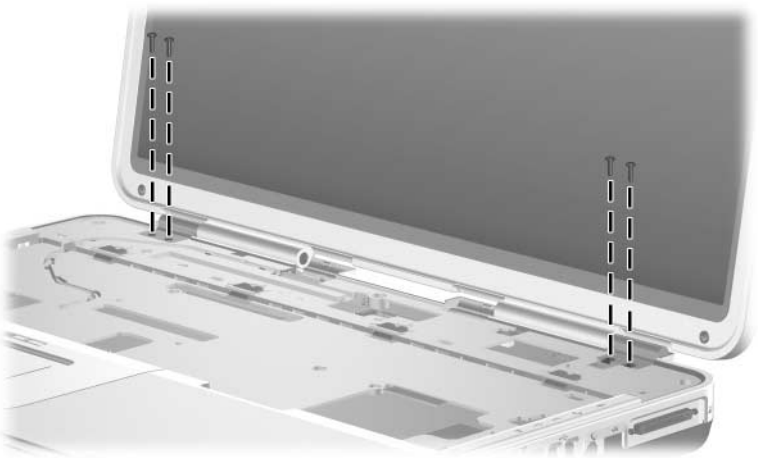
1. Prepare the notebook for disassembly (refer to [Section 5.3](#)) and remove the following components:
 - a. Optical drive (refer to [Section 5.5](#))
 - b. Memory module compartment (refer to [Section 5.6](#))
 - c. Mini PCI compartment cover (refer to [Section 5.7](#))
 - d. Switch cover (refer to [Section 5.8](#))
 - e. Keyboard (refer to [Section 5.10](#))

2. Remove the wireless antenna cables from the top cover hole **1** and from the routing channels **2** through which the cables are routed.
3. Disconnect the display cable **3** from the system board.



Disconnecting the Display Cables

4. Remove the four PM2.0×8.0 screws that secure the display assembly to the notebook.



Removing the Display Screws

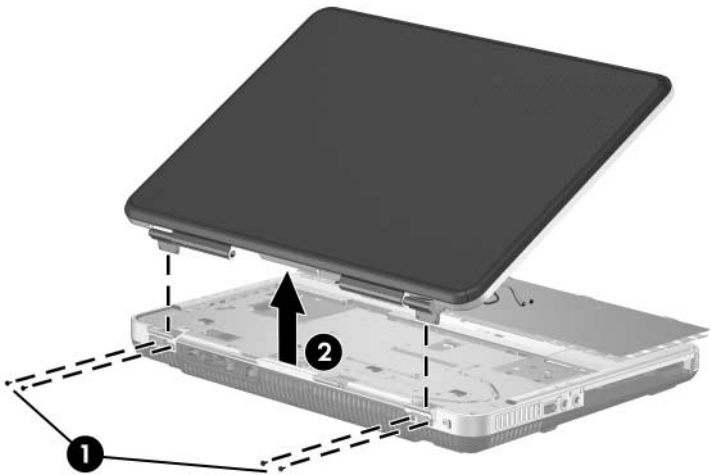
5. Position the notebook with the rear panel toward you.



CAUTION: Support the display assembly when removing the following screws. Failure to support the display assembly can result in damage to the display assembly and other notebook components.

6. Remove the four PM2.0×8.0 screws ❶ that secure the display assembly to the notebook.

7. Lift the display assembly straight up to remove it ❷.



Removing the Display Assembly

Reverse the above procedure to install the display assembly.

5.12 Top Cover

Spare Part Number Information

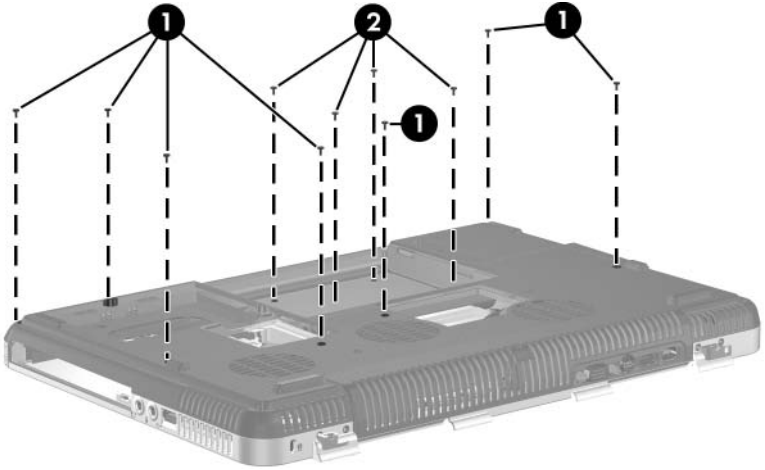
Top covers (include TouchPad)

For use only on Compaq Presario X6000 notebook models 374751-001

For use only on HP Compaq nx9600 models 378770-001

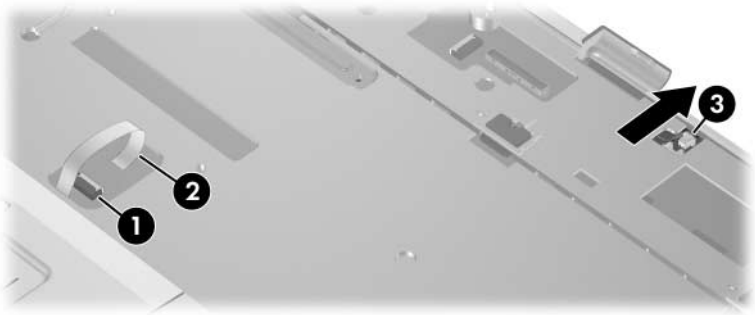
1. Prepare the notebook for disassembly (refer to [Section 5.3](#)) and remove the following components:
 - a. Optical drive (refer to [Section 5.5](#))
 - b. Memory module compartment (refer to [Section 5.6](#))
 - c. Mini PCI compartment cover (refer to [Section 5.7](#))
 - d. Switch cover (refer to [Section 5.8](#))
 - e. Keyboard (refer to [Section 5.10](#))
 - f. Display assembly (refer to [Section 5.11](#))
2. Turn the notebook upside down with the front panel toward you.

3. Remove the seven PM2.0×8.0 screws **1** on the surface of the base enclosure and the four PM2.0×8.0 screws **2** in the battery bay.



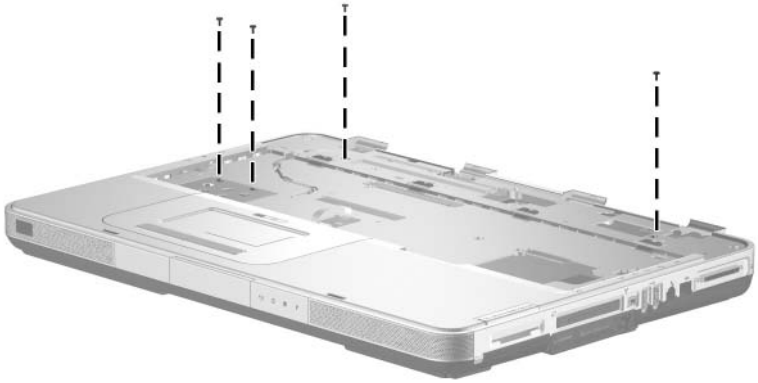
Removing the Top Cover Screws

4. Turn the notebook top-side up with the front panel toward you.
5. Release the ZIF connector **1** to which the TouchPad cable **2** is connected and disconnect the TouchPad cable **2** from the system board.
6. Disconnect the display switch module cable **3** from the system board.



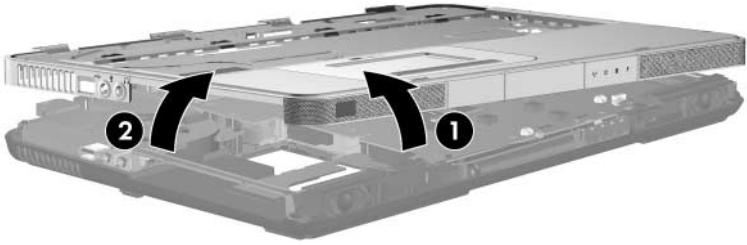
Disconnecting the TouchPad and Display Lid Switch Cables

7. Remove the four PM2.0×8.0 screws that secure the base enclosure to the notebook.



Removing the Top Cover Screw

8. Lift the right side of the top cover up and to the left **1** until it detaches from the notebook.
9. Lift the top cover straight up **2** to remove it.



Removing the Top Cover

Reverse the above procedure to install the top cover.

5.13 Front Panel LED Board

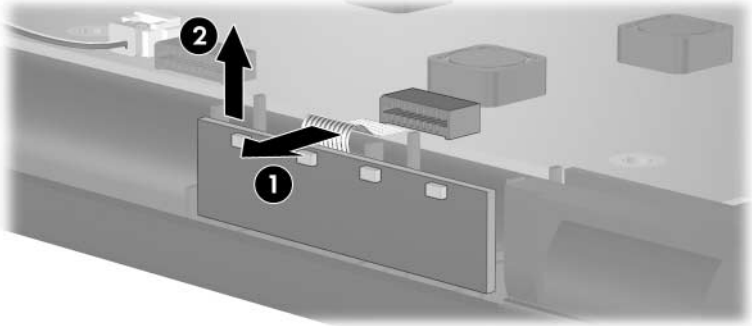
Spare Part Number Information

Front panel LED board (includes cable)

378774-001

1. Prepare the notebook for disassembly (refer to [Section 5.3](#)) and remove the following components:
 - a. Optical drive (refer to [Section 5.5](#))
 - b. Memory module compartment (refer to [Section 5.6](#))
 - c. Mini PCI compartment cover (refer to [Section 5.7](#))
 - d. Switch cover (refer to [Section 5.8](#))
 - e. Keyboard (refer to [Section 5.10](#))
 - f. Display assembly (refer to [Section 5.11](#))
 - g. Top cover (refer to [Section 5.12](#))

2. Disconnect the front panel LED board cable **1** from the low insertion force (LIF) connector on the system board.
3. Remove the front panel LED board **2** from the clip in the base enclosure.



Removing the Front Panel LED Board

Reverse the above procedure to install the front panel LED board.

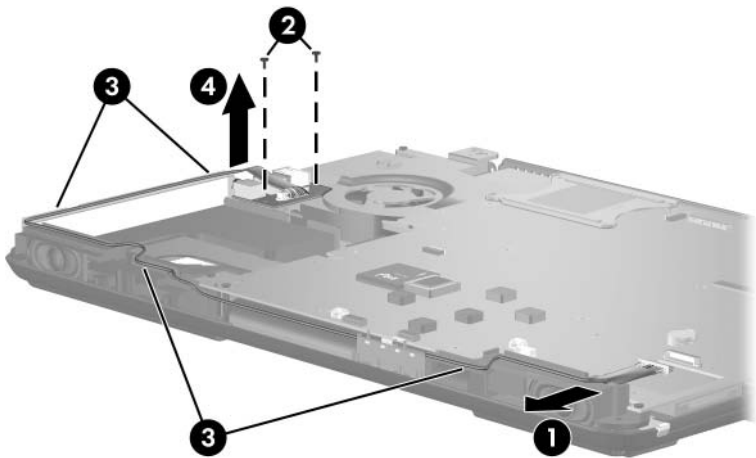
5.14 Audio/USB Board

Spare Part Number Information

Audio/USB board	374761-001
Audio/USB board cable	433822-001

1. Prepare the notebook for disassembly (refer to [Section 5.3](#)) and remove the following components:
 - a. Optical drive (refer to [Section 5.5](#))
 - b. Memory module compartment (refer to [Section 5.6](#))
 - c. Mini PCI compartment cover (refer to [Section 5.7](#))
 - d. Switch cover (refer to [Section 5.8](#))
 - e. Keyboard (refer to [Section 5.10](#))
 - f. Display assembly (refer to [Section 5.11](#))
 - g. Top cover (refer to [Section 5.12](#))
 - h. Front panel LED board (refer to [Section 5.13](#))

2. Disconnect the audio/USB board cable **1** from the system board.
3. Remove the two PM2.0×8.0 screws **2** that secure the audio/USB board to the base enclosure.
4. Remove the audio/USB board cable from the base enclosure clips **3** through which it is routed.
5. Remove the audio/USB board **4**.



Removing the Audio/USB Board

Reverse the above procedure to install the audio/USB board.

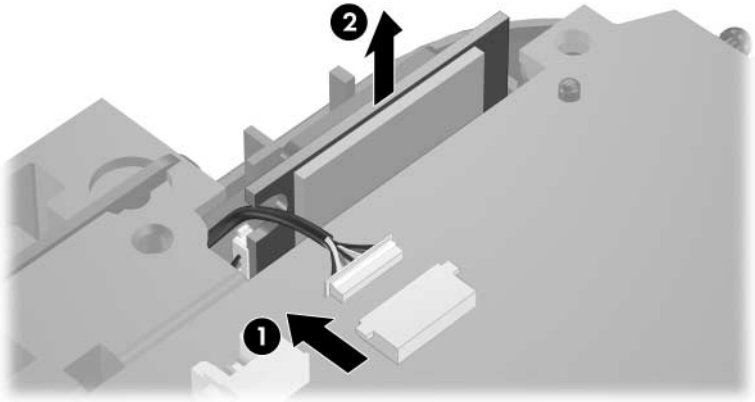
5.15 Bluetooth Board

Spare Part Number Information

Broadcomm Bluetooth wireless card (includes cable)	376651-001
--	------------

1. Prepare the notebook for disassembly (refer to [Section 5.3](#)) and remove the following components:
 - a. Optical drive (refer to [Section 5.5](#))
 - b. Memory module compartment (refer to [Section 5.6](#))
 - c. Mini PCI compartment cover (refer to [Section 5.7](#))
 - d. Switch cover (refer to [Section 5.8](#))
 - e. Keyboard (refer to [Section 5.10](#))
 - f. Display assembly (refer to [Section 5.11](#))
 - g. Top cover (refer to [Section 5.12](#))

2. Disconnect the Bluetooth board cable **1** from the system board.
3. Remove the Bluetooth board **4**.



Removing the Bluetooth Board

Reverse the above procedure to install the Bluetooth board.

5.16 System Board

Spare Part Number Information

For use on Compaq Presario X6000 models (includes PC Card cage and expansion port bracket)

M24P with 256 MB RAM	374711-001
M24P with 128 MB RAM	374709-001
M22P with 64 MB RAM	374707-001

For use on HP Compaq nx9600 models

M24P with 128 MB RAM	377209-001
M22P with 64 MB RAM	377208-001



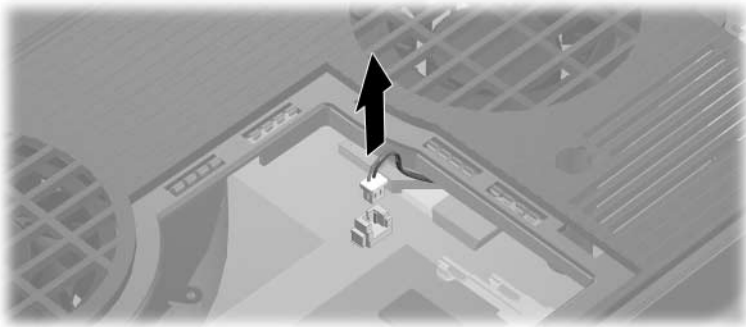
All system board spares kits include a disk cell RTC battery.



When replacing the system board, ensure that the following components are removed from the defective system board and installed on the replacement system board:

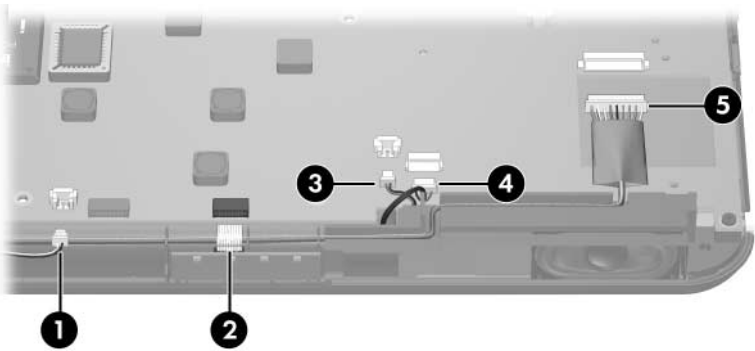
- Memory modules (refer to [Section 5.6](#))
- Mini PCI communications card (refer to [Section 5.7](#))
- Bluetooth board (refer to [Section 5.15](#))
- Modem board (refer to [Section 5.20](#))
- Heat sink module (refer to [Section 5.21](#))
- Processor (refer to [Section 5.22](#))

1. Prepare the notebook for disassembly (refer to [Section 5.3](#)) and remove the following components:
 - a. Optical drive (refer to [Section 5.5](#))
 - b. Switch cover (refer to [Section 5.8](#))
 - c. Keyboard (refer to [Section 5.10](#))
 - d. Display assembly (refer to [Section 5.11](#))
 - e. Top cover (refer to [Section 5.12](#))
2. Turn the notebook upside down with the front toward you.
3. Disconnect the fan cable from the system board through the memory module compartment.



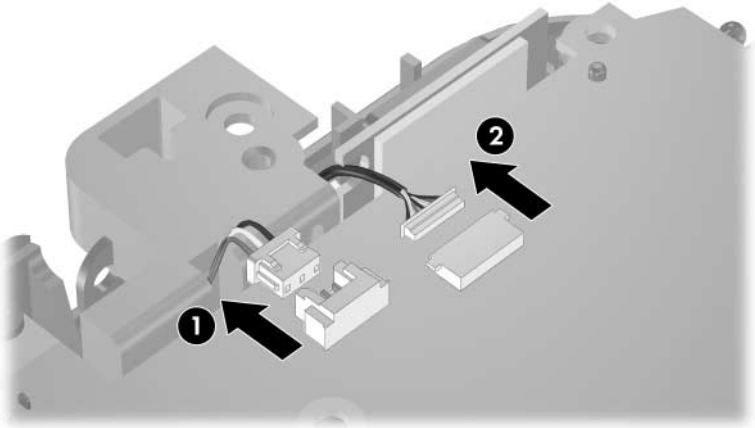
Disconnecting the Fan Cable

4. Turn the notebook top-side up with the front panel toward you.
5. Disconnect the following cables from the system board:
 - ❶ Left speaker cable
 - ❷ Front panel LED board cable
 - ❸ Digital drive board cable
 - ❹ Right speaker cable
 - ❺ Audio/USB board cable



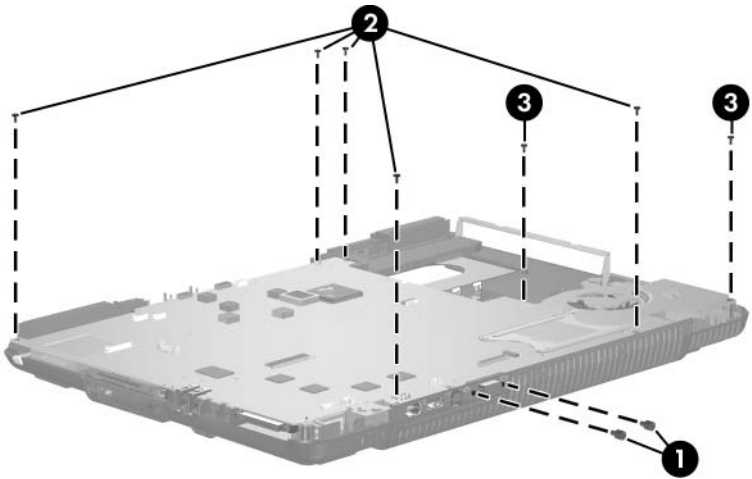
Disconnecting the System Board Cables, Part 1

6. Disconnect the fan cable ❶ and the Bluetooth board cable ❷ from the system board.



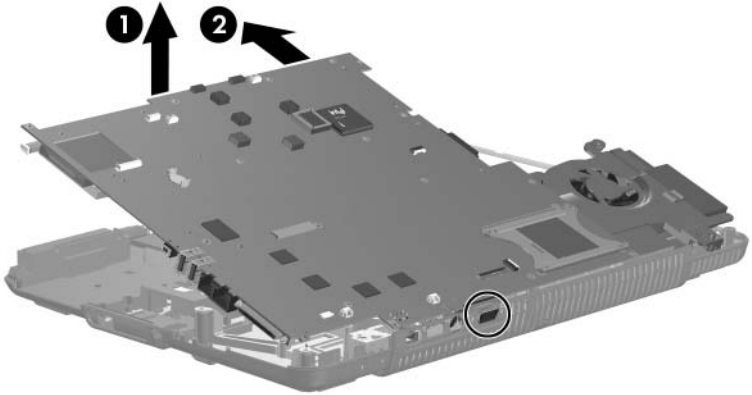
Disconnecting the System Board Cables, Part 2

7. Position the notebook with the rear panel toward you.
8. Remove the following:
 - ❶ two HM5.0×9.0 screw locks on each side of the external monitor connector
 - ❷ five PM2.0×8.0 screws that secure the system board to the base enclosure
 - ❸ two PM2.0×8.0 screws that secure the heat sink module to the base enclosure



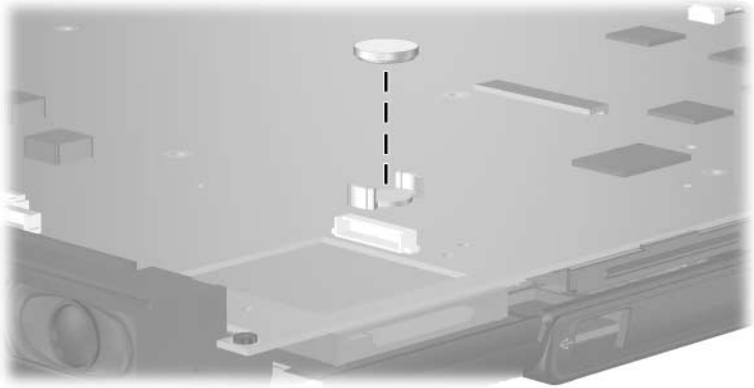
Removing the System Board Screws and Screw Locks

9. Position the notebook with the front panel toward you.
10. Lift the front edge of the system board until it clears the base enclosure ❶.
11. Slide the system board forward at an angle and remove it ❷.



Removing the System Board

12. Remove the RTC battery from the socket on the system board and install it in the socket on the replacement system board.

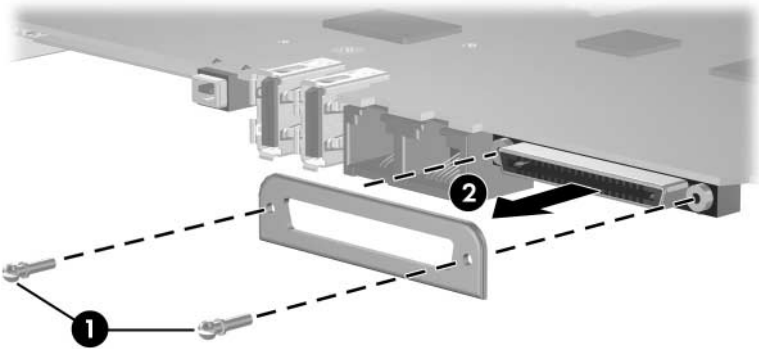


Removing the RTC Battery



An expansion port bracket and PC Card cage designed specifically for the Compaq Presario X6000 are included with the replacement system board. Follow steps 13 through 20 to remove the expansion port bracket and PC Card cage that are already installed on the replacement system board and replace them with the bracket and cage designed for the Compaq Presario X6000.

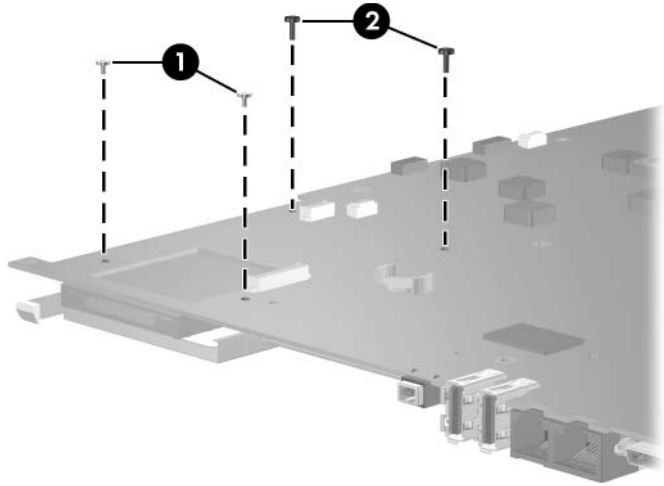
13. Position the system board with the expansion port and PC Card slot toward you.
14. Remove the two SM1.5×9.0 shoulder screws ❶ on each side of the expansion port.
15. Remove the expansion port bracket ❷.



Removing the Expansion Port Bracket

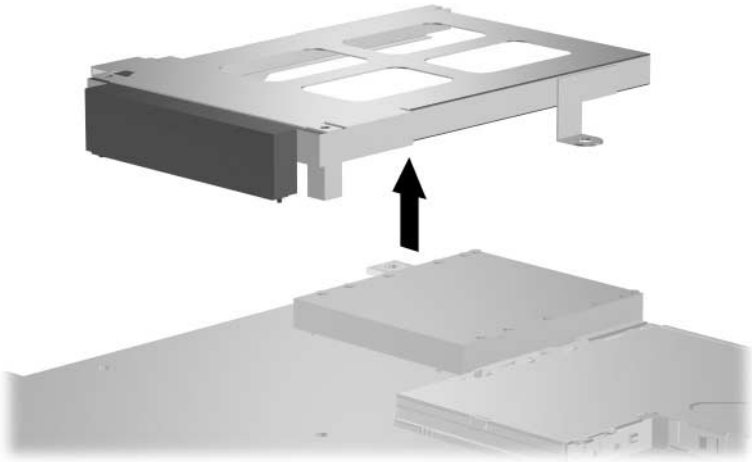
16. Install the replacement expansion port bracket.

17. Remove the two PM1.5×4.0 screws ❶ and the two PM1.5×14.0 screws ❷ that secure the PC Card cage to the system board.



Removing the PC Card Cage Screws

18. Turn the system board upside down.
19. Lift the PC Card cage straight up to disconnect it from the system board.



Removing the PC Card Cage

20. Install the replacement PC Card cage.
- Reverse the above procedures to install the system board.

5.17 Digital Drive Board

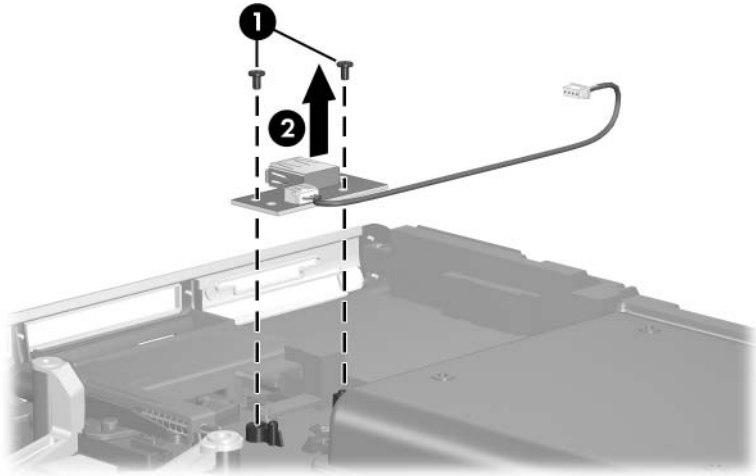
Spare Part Number Information

Digital drive board (includes cable)

374759-001

1. Prepare the notebook for disassembly (refer to [Section 5.3](#)) and remove the following components:
 - a. Optical drive (refer to [Section 5.5](#))
 - b. Memory module compartment cover (refer to [Section 5.6](#))
 - c. Mini PCI compartment cover (refer to [Section 5.7](#))
 - d. Switch cover (refer to [Section 5.8](#))
 - e. Keyboard (refer to [Section 5.10](#))
 - f. Display assembly (refer to [Section 5.11](#))
 - g. Top cover (refer to [Section 5.12](#))
 - h. System board (refer to [Section 5.16](#))

2. Remove the two PM2.0×4.0 screws ❶ that secure the digital drive board to the base enclosure.
3. Remove the digital drive board ❷.



Removing the Digital Drive Board

Reverse the above procedure to install the digital drive board.

5.18 Speakers

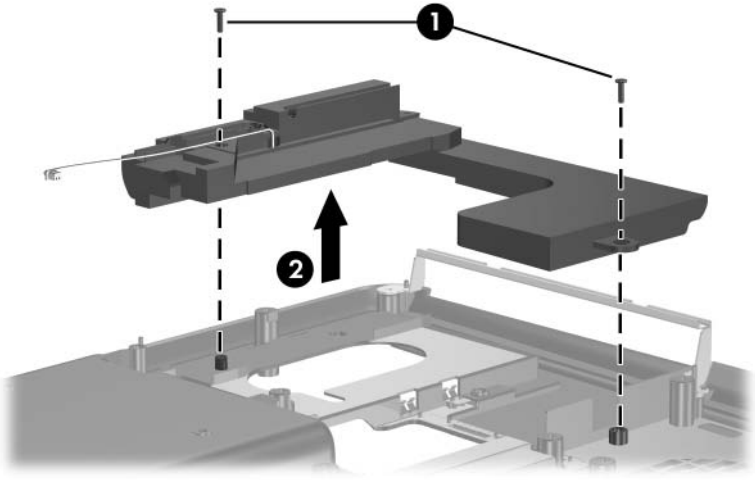
Spare Part Number Information

Left and right speakers

378522-001

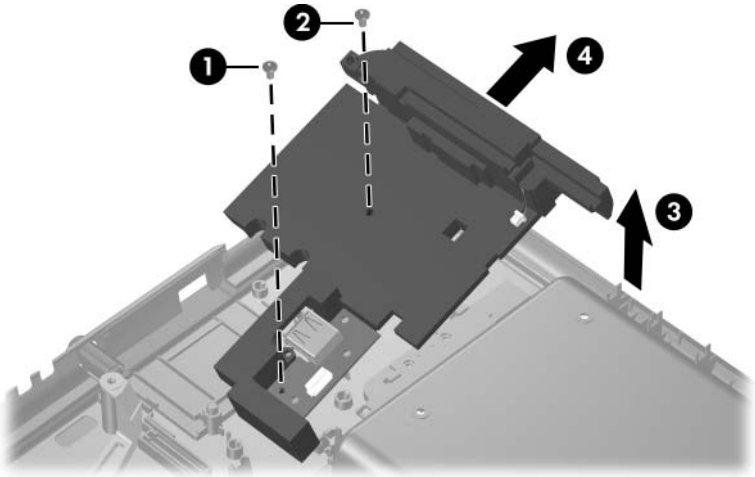
1. Prepare the notebook for disassembly (refer to [Section 5.3](#)) and remove the following components:
 - ❑ Optical drive (refer to [Section 5.5](#))
 - ❑ Memory module compartment cover (refer to [Section 5.6](#))
 - ❑ Mini PCI compartment cover (refer to [Section 5.7](#))
 - ❑ Switch cover (refer to [Section 5.8](#))
 - ❑ Keyboard (refer to [Section 5.10](#))
 - ❑ Display assembly (refer to [Section 5.11](#))
 - ❑ Top cover (refer to [Section 5.12](#))
 - ❑ System board (refer to [Section 5.16](#))
 - ❑ Digital drive board (refer to [Section 5.17](#))
2. Position the notebook with the rear panel toward you.

3. Remove the two PM2.0×4.0 screws ❶ that secure the left speaker to the base enclosure.
4. Remove the left speaker ❷.



Removing the Left Speaker

5. Remove the PM1.5×3.5 screw ❶ and PM2.0×4.0 screw ❷ that secure the right speaker to the base enclosure.
6. Lift the right side of the right speaker ❸, then slide the speaker to the right to remove it ❹.



Removing the Right Speaker

Reverse the above procedure to install the speakers.

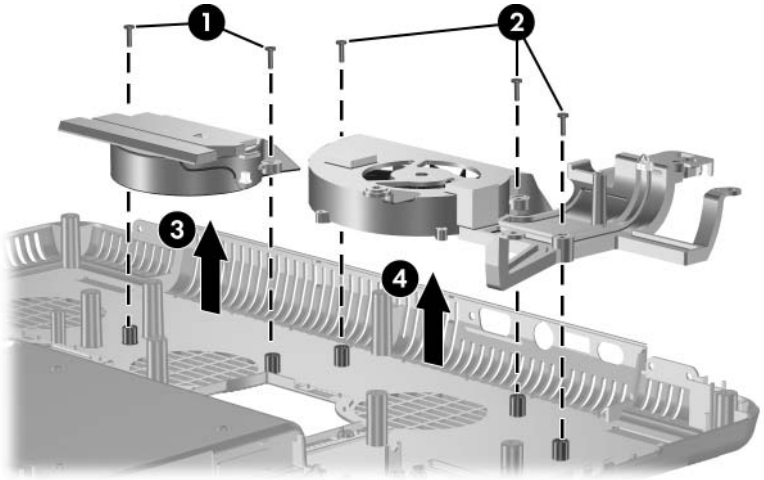
5.19 Base Enclosure Fans

Spare Part Number Information

Base enclosure middle fan	380029-001
Base enclosure right fan	380028-001

1. Prepare the notebook for disassembly (refer to [Section 5.3](#)) and remove the following components:
 - a. Optical drive (refer to [Section 5.5](#))
 - b. Memory module compartment cover (refer to [Section 5.6](#))
 - c. Mini PCI compartment cover (refer to [Section 5.7](#))
 - d. Switch cover (refer to [Section 5.8](#))
 - e. Keyboard (refer to [Section 5.10](#))
 - f. Display assembly (refer to [Section 5.11](#))
 - g. Top cover (refer to [Section 5.12](#))
 - h. System board (refer to [Section 5.16](#))

2. Remove the two PM2.0×8.0 screws **1** that secure the base enclosure middle fan assembly to the base enclosure.
3. Remove the three PM2.0×8.0 screws **2** that secure the base enclosure right fan assembly to the base enclosure.
4. Remove the middle **3** and right fans **4**.



Removing the Base Enclosure Fans

Reverse the above procedure to install the base enclosure fans.

5.20 Modem Board

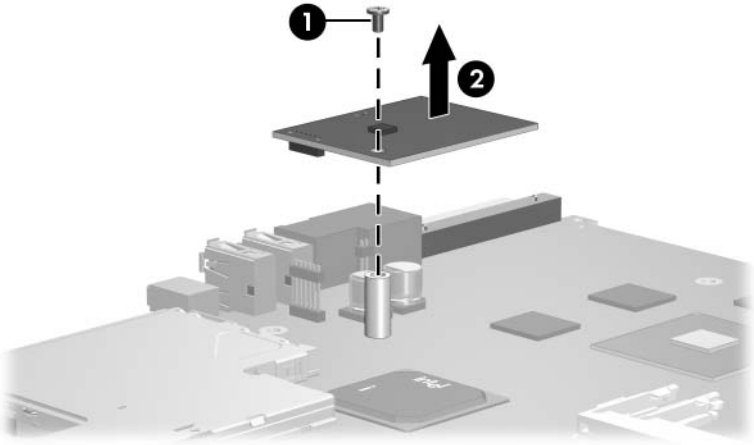
Spare Part Number Information

Modem board

374758-001

1. Prepare the notebook for disassembly (refer to [Section 5.3](#)) and remove the following components:
 - a. Optical drive (refer to [Section 5.5](#))
 - b. Memory module compartment cover (refer to [Section 5.6](#))
 - c. Mini PCI compartment cover (refer to [Section 5.7](#))
 - d. Switch cover (refer to [Section 5.8](#))
 - e. Keyboard (refer to [Section 5.10](#))
 - f. Display assembly (refer to [Section 5.11](#))
 - g. Top cover (refer to [Section 5.12](#))
 - h. System board (refer to [Section 5.16](#))
2. Turn the system board upside down with the external monitor connector toward you.

3. Remove the PM2.0×3.0 screw ❶ that secures the modem board to the system board.
4. Remove the modem board ❷.



Removing the Modem Board

Reverse the above procedure to install the modem board.

5.21 Heat Sink Module

Spare Part Number Information

Heat sink module (includes fan and thermal paste)

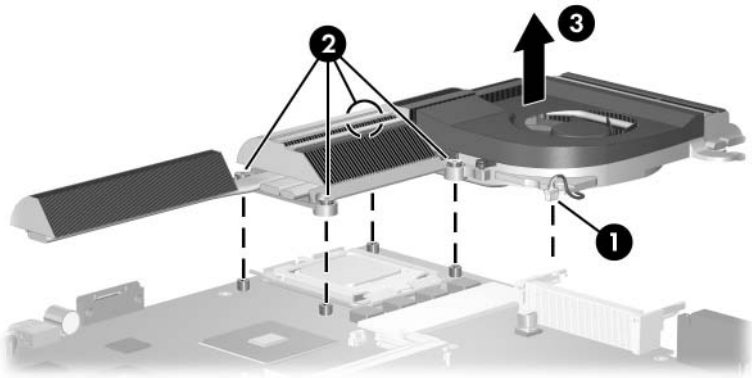
380031-001

1. Prepare the notebook for disassembly (refer to [Section 5.3](#)) and remove the following components:
 - a. Optical drive (refer to [Section 5.5](#))
 - b. Memory module compartment cover (refer to [Section 5.6](#))
 - c. Mini PCI compartment cover (refer to [Section 5.7](#))
 - d. Switch cover (refer to [Section 5.8](#))
 - e. Keyboard (refer to [Section 5.10](#))
 - f. Display assembly (refer to [Section 5.11](#))
 - g. Top cover (refer to [Section 5.12](#))
 - h. System board (refer to [Section 5.16](#))

2. Disconnect the fan cable from the system board ❶.
3. According to the 1, 2, 3, 4 sequence stamped into the heat sink module, loosen the four PM2.0×12.0 spring-loaded shoulder screws ❷ that secure the heat sink module to the system board.
4. Lift the heat sink module and remove it ❸.



Due to the adhesive quality of the thermal paste located between the heat sink module and processor, it may be necessary to move the module from side to side to detach the module from the processor.



Removing the Heat Sink Module

Reverse the above procedure to install the heat sink module.

5.22 Processor

Spare Part Number Information

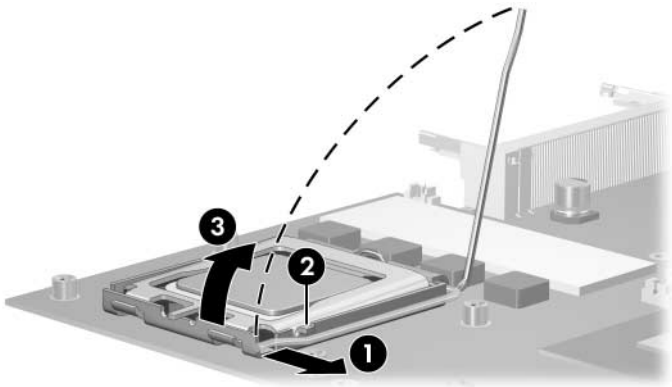
Intel Pentium 4 560 (3.6-GHz)	377213-001
Intel Pentium 4 550 (3.4-GHz)	374718-001
Intel Pentium 4 540 (3.2-GHz)	374717-001
Intel Pentium 4 530 (3.0-GHz)	374716-001
Intel Pentium 4 520 (2.8-GHz)	374715-001

1. Prepare the notebook for disassembly (refer to [Section 5.3](#)) and remove the following components:
 - a. Optical drive (refer to [Section 5.5](#))
 - b. Memory module compartment cover (refer to [Section 5.6](#))
 - c. Mini PCI compartment cover (refer to [Section 5.7](#))
 - d. Switch cover (refer to [Section 5.8](#))
 - e. Keyboard (refer to [Section 5.10](#))
 - f. Display assembly (refer to [Section 5.11](#))
 - g. Top cover (refer to [Section 5.12](#))
 - h. System board (refer to [Section 5.16](#))
 - i. Heat sink module (refer to [Section 5.21](#))



CAUTION: The processor release arm is under spring tension. Do not let go of the arm when removing or installing the processor. Failure to follow this caution can result in damage to the processor and system board.

2. Slide the tip of the processor release arm to the right **1** until it clears the stop on the socket **2**.
3. Manually swing the arm up and back as far as it will freely go **3**.

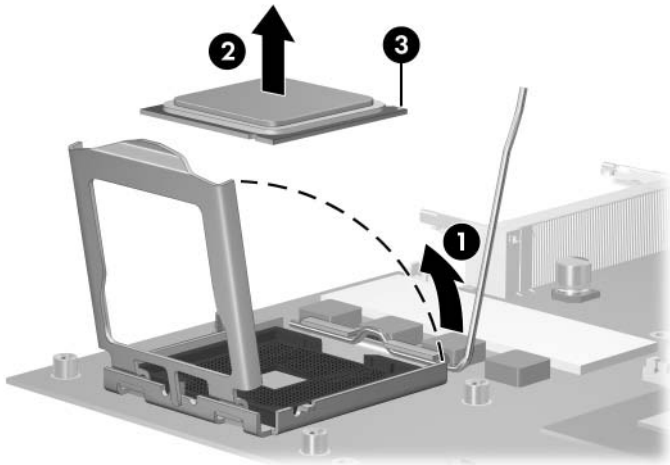


Disengaging the Processor Release Arm

4. Swing the processor socket cover up and forward ❶.
5. Lift the processor straight up to remove it ❷.



The gold triangle ❸ on the processor should be aligned in the front right corner when you install the processor.



Removing the Processor

Reverse the above procedure to install the processor.

6

Specifications

This chapter provides physical and performance specifications.

Table 6-1
Notebook

Dimensions

Height		
Front	4.46 cm	1.76 in
Rear	5.06 cm	1.99 in
Width	39.80 cm	15.67 in
Depth	28.29 cm	11.14 in

Weight	4.22 kg	9.3 lb
---------------	---------	--------

Stand-alone power requirements

Operating voltage	19.0 V dc @ 7.1 A/9.5 A – 135 W/180 W	
Operating current	7.1 A/9.5 A	

Table 6-1
Notebook (Continued)

Temperature

HP Compaq nx9600 Notebook PC

Operating (not writing to optical disc)	0°C to 35°C	32°F to 95°F
---	-------------	--------------

Operating (writing to optical disc)	5°C to 35°C	41°F to 95°F
-------------------------------------	-------------	--------------

Nonoperating	-20°C to 60°C	-4°F to 140°F
--------------	---------------	---------------

Compaq Presario X6000 Notebook PC

Operating	10°C to 35°C	50°F to 95°F
-----------	--------------	--------------

Nonoperating	-20°C to 60°C	-4°F to 140°F
--------------	---------------	---------------

Relative humidity (noncondensing)

Operating	10% to 90%
-----------	------------

Nonoperating	5% to 95%, 38.7°C (101.6°F) maximum wet bulb temperature
--------------	--

Maximum altitude (unpressurized)

Operating (14.7 to 10.1 psia)	-15 m to 3,048 m	-50 ft to 10,000 ft
-------------------------------	------------------	---------------------

Nonoperating (14.7 to 4.4 psia)	-15 m to 12,192 m	-50 ft to 40,000 ft
---------------------------------	-------------------	---------------------

Shock

Operating	125 g, 2 ms, half-sine
-----------	------------------------

Nonoperating	200 g, 2 ms, half-sine
--------------	------------------------

Random Vibration

Operating	0.75 g zero-to-peak, 10 Hz to 500 Hz, 0.25 oct/min sweep rate
-----------	---

Nonoperating	1.50 g zero-to-peak, 10 Hz to 500 Hz, 0.5 oct/min sweep rate
--------------	--



Applicable product safety standards specify thermal limits for plastic surfaces. The notebook operates well within this range of temperatures.

Table 6-2**17.0-inch, WSXGA+WVA Brightview Display**

Dimensions		
Height	23.00 cm	9.06 in
Width	36.80 cm	14.49 in
Diagonal	43.40 cm	17.09 in
Number of colors		Up to 16.8 million
Contrast ratio		200:1
Brightness		180 nits typical
Pixel resolution		
Pitch	0.197 × 0.197 mm	
Format	1680 × 1050	
Configuration	RGB vertical stripe	
Backlight		Edge lit
Character display		80 × 25
Total power consumption		4 W
Viewing angle		+/-65° horizontal, +/-50° vertical typical

Table 6-3
17.0-inch, WXGA+WVA Brightview Display

Dimensions		
Height	23.00 cm	9.06 in
Width	36.80 cm	14.49 in
Diagonal	43.40 cm	17.09 in
Number of colors	Up to 16.8 million	
Contrast ratio	200:1	
Brightness	180 nits typical	
Pixel resolution		
Pitch	0.259 × 0.259 mm	
Format	1280 × 800	
Configuration	RGB vertical stripe	
Backlight	Edge lit	
Character display	80 × 25	
Total power consumption	4 W	
Viewing angle	+/-40° horizontal, +20/-40° vertical typical	

Table 6-4
Hard Drives, Part 1


	100-GB*	100-GB*	80-GB*	80-GB*
Dimensions				
Height	9.5 mm	9.5 mm	9.5 mm	9.5 mm
Width	70 mm	70 mm	70 mm	70 mm
Weight	99 g	102 g	99 g	99 g
Interface type	ATA-5	ATA-5	ATA-5	ATA-5
Transfer rate				
Synchronous (maximum)	100 MB/sec	100 MB/sec	100 MB/sec	100 MB/sec
Security	ATA security	ATA security	ATA security	ATA security
Seek times (typical read, including setting)				
Single track	3 ms	3 ms	3 ms	3 ms
Average	13 ms	13 ms	13 ms	13 ms
Maximum	24 ms	24 ms	24 ms	24 ms
Logical blocks [†]	195,364,233	195,364,233	156,301,488	156,301,488
Disk rotational speed	5400 rpm	4200 rpm	5400 rpm	4200 rpm
Operating temperature	5°C to 55°C (41°F to 131°F)			
 Certain restrictions and exclusions apply. Consult Customer Care for details.				
*1 GB = 1 billion bytes when referring to hard drive storage capacity. Actual accessible capacity is less.				
[†] Actual drive specifications may differ slightly.				

Table 6-5
Hard Drives, Part 2

	60-GB*	60-GB*	40-GB*
Dimensions			
Height	9.5 mm	9.5 mm	9.5 mm
Width	70 mm	70 mm	70 mm
Weight	102 g	99 g	99 g
Interface type	ATA-5	ATA-5	ATA-5
Transfer rate			
Synchronous (maximum)	100 MB/sec	100 MB/sec	100 MB/sec
Security	ATA security	ATA security	ATA security
Seek times (typical read, including setting)			
Single track	3 ms	3 ms	3 ms
Average	13 ms	13 ms	13 ms
Maximum	24 ms	24 ms	24 ms
Logical blocks [†]	117,210,240	117,210,240	78,140,160
Disk rotational speed	7200 rpm	4200 rpm	4200 rpm
Operating temperature	5°C to 55°C (41°F to 131°F)		



Certain restrictions and exclusions apply. Consult Customer Care for details.

*1 GB = 1 billion bytes when referring to hard drive storage capacity. Actual accessible capacity is less.

[†]Actual drive specifications may differ slightly.

Table 6-6
Primary 12-cell, Li-Ion Battery Pack

Dimensions

Height	2.00 cm	0.79 in
Width	15.80 cm	6.22 in
Depth	11.90 cm	4.69 in
Weight	0.34 kg	0.75 lb

Energy

Voltage	148. V
Amp-hour capacity	6.6 Ah
Watt-hour capacity	48 Wh

Temperature

Operating	5°C to 45°C	41°F to 113°F
Nonoperating	0°C to 60°C	32°F to 140°F

Table 6-7
24X DVD/CD-RW Combo Drive

Applicable disk	Read:	Write:
	DVD-R, DVD-RW, DVD-ROM (DVD-5, DVD-9, DVD-10, DVD-18), CD-ROM (Mode 1 and 2) CD Digital Audio CD-XA ready (Mode 2, Form 1 and 2) CD-I ready (Mode 2, Form 1 and 2) CD-R, CD-RW Photo CD (single and multisession) CD-Bridge	CD-R and CD-RW
Center hole diameter	1.5 cm (0.59 in)	
Disk diameter		
Standard disc	12 cm (4.72 in)	
Mini disc	8 cm (3.15 in)	

Table 6-7
24X DVD/CD-RW Combo Drive (Continued)

Disk thickness	1.2 mm (0.047 in)	
Track pitch	0.74 μ m	
Access time	CD media	DVD media
Random	< 110 ms	< 130 ms
Full stroke	< 210 ms	< 225 ms
Audio output level	Line-out, 0.7 V rms	
Cache buffer	2 MB	
Data transfer rate		
CD-R (24X)	3600 KB/s (150 KB/s at 1X CD rate)	
CD-RW (10X)	1500 KB/s (150 KB/s at 1X CD rate)	
CD-ROM (24X)	3600 KB/s (150 KB/s at 1X CD rate)	
DVD (8X)	10,800 KB/s (1352 KB/s at 1X DVD rate)	
Multiword DMA mode 2	16.6 MB/s	
Startup time	< 15 seconds	
Stop time	< 6 seconds	

Table 6-8
8X DVD±RW/R and CD-RW Combo Drive

Applicable disk	Read:	Write:
	DVD-R, DVD-RW, DVD-ROM (DVD-5, DVD-9, DVD-10, DVD-18), CD-ROM (Mode 1 and 2) CD Digital Audio CD-XA ready (Mode 2, Form 1 and 2) CD-I ready (Mode 2, Form 1 and 2) CD-R, CD-RW Photo CD (single and multisession) CD-Bridge	CD-R and CD-RW DVD-R and DVD-RW
Center hole diameter	1.5 cm (0.59 in)	
Disk diameter		
Standard disc	12 cm (4.72 in)	
Mini disc	8 cm (3.15 in)	

Table 6-8
8X DVD±RW/R and CD-RW Combo Drive (Continued)

Disk thickness	1.2 mm (0.047 in)	
Track pitch	0.74 μ m	
Access time	CD	DVD
Random	< 175 ms	< 230 ms
Full stroke	< 285 ms	< 335 ms
Audio output level	Audio-out, 0.7 Vrms	
Cache buffer	2 MB	
Data transfer rate		
CD-R (16X)	2,400 KB/s (150 KB/s at 1X CD rate)	
CD-RW (8X)	1,200 KB/s (150 KB/s at 1X CD rate)	
CD-ROM (24X)	3,600 KB/s (150 KB/s at 1X CD rate)	
DVD (8X)	10,800 KB/s (1,352 KB/s at 1X DVD rate)	
DVD-R (4X)	5,400 KB/s (1,352 KB/s at 1X DVD rate)	
DVD-RW (2X)	2,700 KB/s (1,352 KB/s at 1X DVD rate)	
Multiword DMA mode 2	16.6 MB/s	
Startup time	< 15 seconds	
Stop time	< 6 seconds	

Table 6-9
System DMA

Hardware DMA	System Function
DMA0	not applicable
DMA1*	not applicable
DMA2*	not applicable
DMA3	not applicable
DMA4	Direct memory access controller
DMA5*	Available for PC Card
DMA6	Not assigned
DMA7	Not assigned

*PC Card controller can use DMA 1, 2, or 5.

Table 6-10
System Interrupts

Hardware IRQ	System Function
IRQ0	System timer
IRQ1	Standard 101-/102-Key or Microsoft Natural Keyboard
IRQ2	Cascaded
IRQ3	Intel 82801DB/DBM USB2 Enhanced Host Controller—24CD
IRQ4	COM1
IRQ5*	Conexant AC—Link Audio Intel 82801DB/DBM SMBus Controller—24C3 Data Fax Modem with SmartCP
IRQ6	Diskette drive
IRQ7*	Parallel port
IRQ8	System CMOS/real time clock
IRQ9*	Microsoft ACPI-compliant system
IRQ10*	Intel USB UHCI controller—24C2 Intel 82852/82855 GM/GME Graphic Controller Realtek RTL8139 Family PCI fast Ethernet Controller

*Default configuration; audio possible configurations are IRQ5, IRQ7, IRQ9, IRQ10, or none.

Table 6-10
System Interrupts (Continued)

Hardware IRQ	System Function
IRQ11	Intel USB EHCI controller—24CD Intel USB UHCI controller—24C4 Intel USB UHCI controller—24C7 Intel Pro/Wireless 2200BG TI OHCI 1394 host controller TI PCI1410 cardbus controller
IRQ12	Synaptics PS/2 touch pad
IRQ13	Numeric data processor
IRQ14	Primary IDE channel
IRQ15	Secondary IDE channel


 PC Cards may assert IRQ3, IRQ4, IRQ5, IRQ7, IRQ9, IRQ10, IRQ11, or IRQ15. Either the infrared or the serial port may assert IRQ3 or IRQ4.

Table 6-11
System I/O Addresses

I/O Address (hex)	System Function (shipping configuration)
000 - 00F	DMA controller no. 1
010 - 01F	Unused
020 - 021	Interrupt controller no. 1
022 - 024	Opti chipset configuration registers
025 - 03F	Unused
02E - 02F	87334 "Super I/O" configuration for CPU
040 - 05F	Counter/timer registers
044 - 05F	Unused
060	Keyboard controller
061	Port B
062 - 063	Unused
064	Keyboard controller
065 - 06F	Unused
070 - 071	NMI enable/RTC
072 - 07F	Unused
080 - 08F	DMA page registers
090 - 091	Unused
092	Port A
093 - 09F	Unused
0A0 - 0A1	Interrupt controller no. 2

Table 6-11
System I/O Addresses (Continued)

I/O Address (hex)	System Function (shipping configuration)
0A2 - 0BF	Unused
0C0 - 0DF	DMA controller no. 2
0E0 - 0EF	Unused
0F0 - 0F1	Coprocessor busy clear/reset
0F2 - 0FF	Unused
100 - 16F	Unused
170 - 177	Secondary fixed disk controller
178 - 1EF	Unused
1F0 - 1F7	Primary fixed disk controller
1F8 - 200	Unused
201	Joystick (decoded in ESS1688)
202 - 21F	Unused
220 - 22F	Entertainment audio
230 - 26D	Unused
26E - 26	Unused
278 - 27F	Unused
280 - 2AB	Unused
2A0 - 2A7	Unused
2A8 - 2E7	Unused
2E8 - 2EF	Reserved serial port

Table 6-11
System I/O Addresses (Continued)

I/O Address (hex)	System Function (shipping configuration)
2F0 - 2F7	Unused
2F8 - 2FF	Infrared port
300 - 31F	Unused
320 - 36F	Unused
370 - 377	Secondary diskette drive controller
378 - 37F	Parallel port (LPT1/default)
380 - 387	Unused
388 - 38B	FM synthesizer—OPL3
38C - 3AF	Unused
3B0 - 3BB	VGA
3BC - 3BF	Reserved (parallel port/no EPP support)
3C0 - 3DF	VGA
3E0 - 3E1	PC Card controller in CPU
3E2 - 3E3	Unused
3E8 - 3EF	Internal modem
3F0 - 3F7	“A” diskette controller
3F8 - 3FF	Serial port (COM1/default)
CF8 - CFB	PCI configuration index register (PCIDIVO-1)
CFC - CFF	PCI configuration data register (PCIDIVO-1)

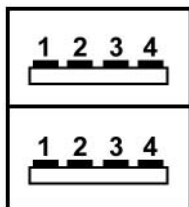
Table 6-12
System Memory Map

Size	Memory Address	System Function
640 KB	00000000-0009FFFF	Base memory
128 KB	000A0000-000BFFFF	Video memory
48 KB	000C0000-000CBFFF	Video BIOS
160 KB	000C8000-000E7FFF	Unused
64 KB	000E8000-000FFFFF	System BIOS
15 MB	00100000-00FFFFFF	Extended memory
58 MB	01000000-047FFFFF	Super extended memory
58 MB	04800000-07FFFFFF	Unused
2 MB	08000000-080FFFFF	Video memory (direct access)
4 GB	08200000-FFFEFFFF	Unused
64 KB	FFFF0000-FFFFFFFF	System BIOS

A

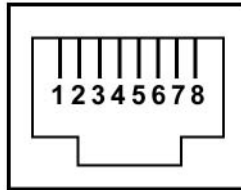
Connector Pin Assignments

Table A-1
Universal Serial Bus



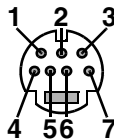
Pin	Signal	Pin	Signal
1	+5 VDC	3	Data +
2	Data -	4	Ground

Table A-2
RJ-45 (Network)



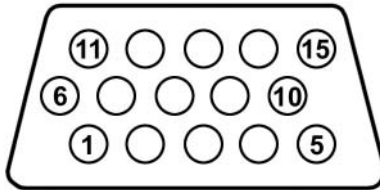
Pin	Signal	Pin	Signal
1	Transmit +	5	Unused
2	Transmit –	6	Receive –
3	Receive +	7	Unused
4	Unused	8	Unused

Table A-3
S-Video-Out



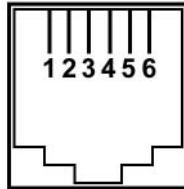
Pin	Signal	Pin	Signal
1	S-VHS color (C) signal	5	TV-CD
2	Composite video signal	6	S-VHS intensity ground
3	S-VHS intensity (Y) signal	7	Composite video ground
4	S-VHS color ground		

Table A-4
External Monitor



Pin	Signal	Pin	Signal
1	Red analog	9	+5 VDC
2	Green analog	10	Ground
3	Blue analog	11	Monitor detect
4	Not connected	12	DDC 2B data
5	Ground	13	Horizontal sync
6	Ground analog	14	Vertical sync
7	Ground analog	15	DDC 2B clock
8	Ground analog		

Table A-5
RJ-11 (Modem)



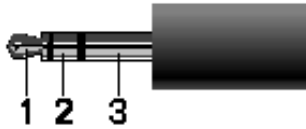
Pin	Signal	Pin	Signal
1	Unused	4	Unused
2	Tip	5	Unused
3	Ring	6	Unused

Table A-6
Audio-In (Microphone)



Pin	Signal	Pin	Signal
1	Audio signal in	3	Ground
2	Audio signal in		

Table A-7
Audio-Out (Headphone)



Pin	Signal	Pin	Signal
1	Audio out, left channel	3	Ground
2	Audio out, right channel		

Power Cord Set Requirements

3-Conductor Power Cord Set

The wide range input feature of the notebook permits it to operate from any line voltage from 100 to 120 or 220 to 240 volts AC.

The power cord set included with the notebook meets the requirements for use in the country where the equipment is purchased.

Power cord sets for use in other countries must meet the requirements of the country where the notebook is used.

General Requirements

The requirements listed below are applicable to all countries.

- The length of the power cord set must be at least 1.5 m (5.0 ft) and a maximum of 2.0 m (6.5 ft).
- All power cord sets must be approved by an acceptable accredited agency responsible for evaluation in the country where the power cord set will be used.
- The power cord sets must have a minimum current capacity of 10 amps and a nominal voltage rating of 125 or 250 V AC, as required by each country's power system.
- The appliance coupler must meet the mechanical configuration of an EN 60 320/IEC 320 Standard Sheet C13 connector for mating with the appliance inlet on the back of the notebook.

Country-Specific Requirements

3-Conductor Power Cord Set Requirements

Country	Accredited Agency	Applicable Note Number
Australia	EANSW	1
Austria	OVE	1
Belgium	CEBC	1
Canada	CSA	2
Denmark	DEMKO	1
Finland	FIMKO	1
France	UTE	1
Germany	VDE	1
Italy	IMQ	1
Japan	METI	3
The Netherlands	KEMA	1
Norway	NEMKO	1
Sweden	SEMKO	1
Switzerland	SEV	1

3-Conductor Power Cord Set Requirements (*Continued*)

Country	Accredited Agency	Applicable Note Number
United Kingdom	BSI	1
United States	UL	2

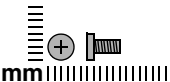


1. The flexible cord must be <HAR> Type HO5VV-F, 3-conductor, 1.0 mm² conductor size. Power cord set fittings (appliance coupler and wall plug) must bear the certification mark of the agency responsible for evaluation in the country where it will be used.
 2. The flexible cord must be Type SPT-3 or equivalent, No. 18 AWG, 3-conductor. The wall plug must be a two-pole grounding type with a NEMA 5-15P (15 A, 125 V) or NEMA 6-15P (15 A, 250 V) configuration.
 3. The appliance coupler, flexible cord, and wall plug must bear a “T” mark and registration number in accordance with the Japanese Dentori Law. The flexible cord must be Type VCT or VCTF, 3-conductor, 1.00 mm² conductor size. The wall plug must be a two-pole grounding type with a Japanese Industrial Standard C8303 (7 A, 125 V) configuration.
-

Screw Listing

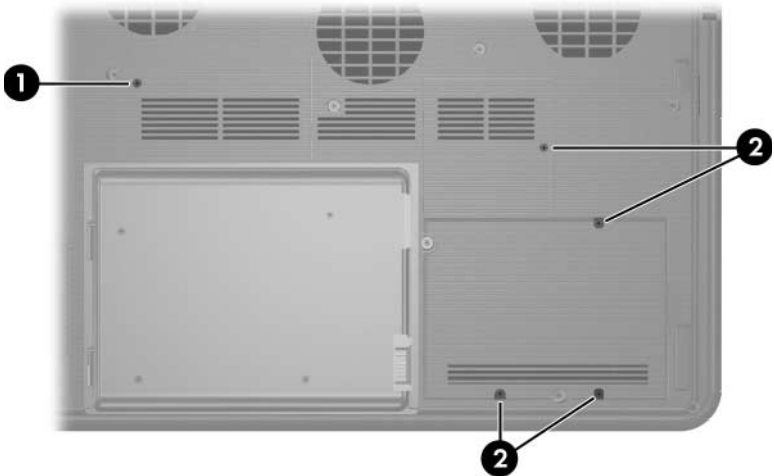
This appendix provides specification and reference information for the screws used in the notebook. All screws listed in this appendix are available in the Miscellaneous Screw Kit, spare part number 374745-001.

Table C-1
Phillips PM2.0x5.0 Screw

 mm	Color	Qty.	Length	Thread	Head Width
	Black	5	5.0 mm	2.0 mm	4.0 mm

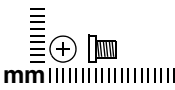
Where used:

- ① One screw that secures the memory module compartment cover to the notebook (screw is captured on the cover by a C clip; documented in [Section 5.6](#))
- ② Four screws that secure the hard drive cover to the notebook (screws are captured on the cover by C clips; documented in [Section 5.3](#))



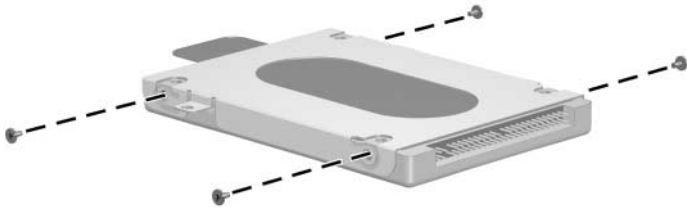
Phillips M2.0x5.0 Screw Locations

Table C-2
Phillips PM2.5×4.0 Screw

	Color	Qty.	Length	Thread	Head Width
	Silver	4	4.0 mm	2.5 mm	4.0 mm

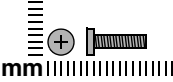
Where used:

Four screws that secure the hard drive frame to the hard drive
 (documented in [Section 5.3](#))



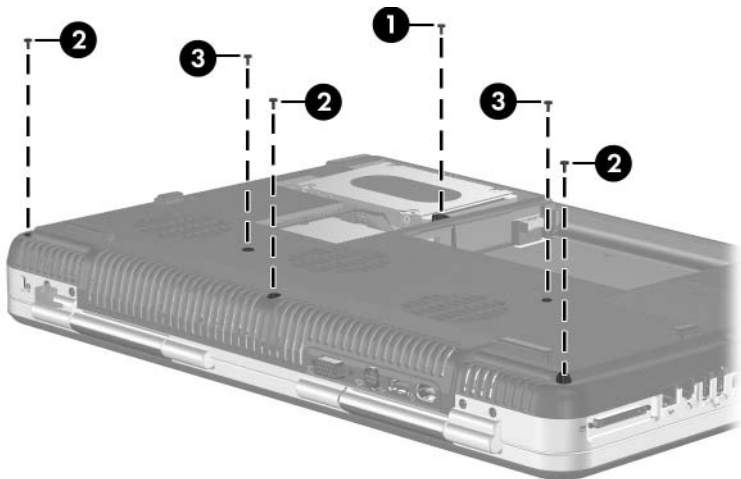
Phillips M2.5×4.0 Screw Locations

Table C-3
Phillips PM2.0x8.0 Screw

 mm	Color	Qty.	Length	Thread	Head Width
	Black	43	8.0 mm	2.0 mm	4.0 mm

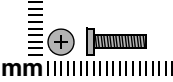
Where used:

- ❶ One screw that secures the optical drive to the notebook (documented in [Section 5.5](#))
- ❷ Three screws that secure the switch cover to the notebook (documented in [Section 5.8](#))
- ❸ Two screws that secure the keyboard to the notebook (documented in [Section 5.10](#))



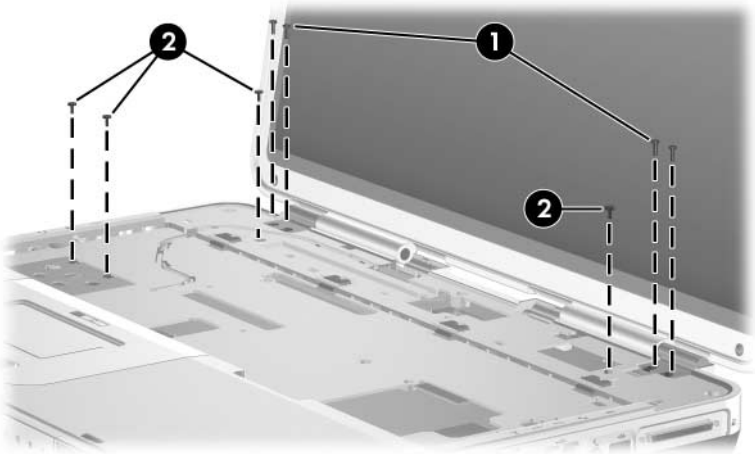
Phillips M2.0x8.0 Screw Location

Table C-3
Phillips PM2.0×8.0 Screw (Continued)

	Color	Qty.	Length	Thread	Head Width
	Black	43	8.0 mm	2.0 mm	4.0 mm

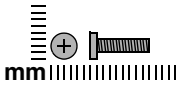
Where used:

- ❶ Four screws that secure the display assembly to the notebook (documented in [Section 5.11](#))
- ❷ Four screws that secure the top cover to the notebook (documented in [Section 5.12](#))



Phillips M2.0×8.0 Screw Locations

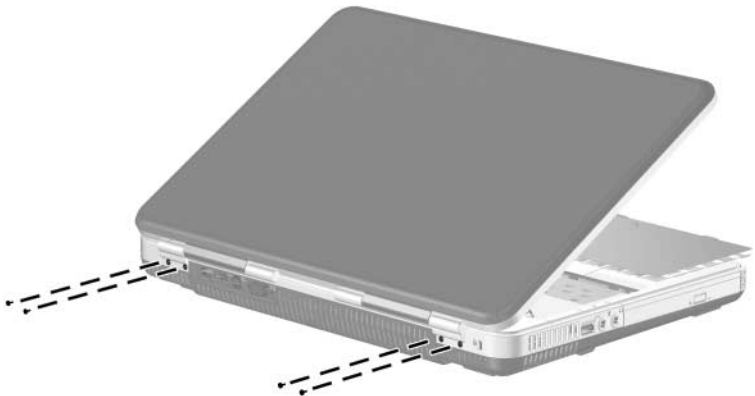
Table C-3
Phillips PM2.0×8.0 Screw (Continued)



Color	Qty.	Length	Thread	Head Width
Black	43	8.0 mm	2.0 mm	4.0 mm

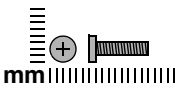
Where used:

Four screws that secure the display assembly to the notebook (documented in [Section 5.11](#))



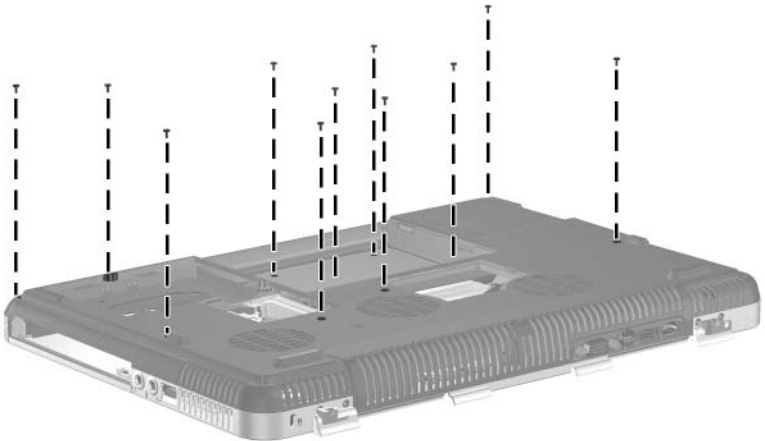
Phillips M2.0×8.0 Screw Locations

Table C-3
Phillips PM2.0×8.0 Screw (Continued)

	Color	Qty.	Length	Thread	Head Width
	Black	43	8.0 mm	2.0 mm	4.0 mm

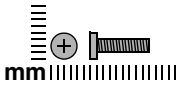
Where used:

Eleven screws that secure the top cover to the notebook
 (documented in [Section 5.12](#))



Phillips M2.0×8.0 Screw Locations

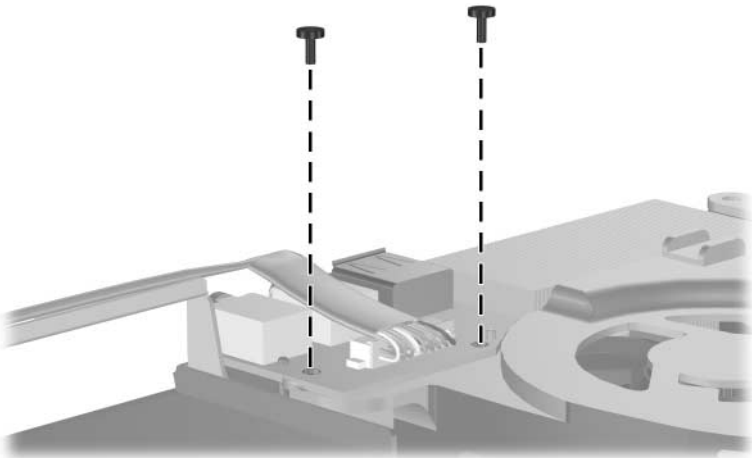
Table C-3
Phillips PM2.0x8.0 Screw (Continued)



Color	Qty.	Length	Thread	Head Width
Black	43	8.0 mm	2.0 mm	4.0 mm

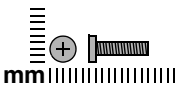
Where used:

Two screws that secure the audio/USB board to the notebook
 (documented in [Section 5.14](#))



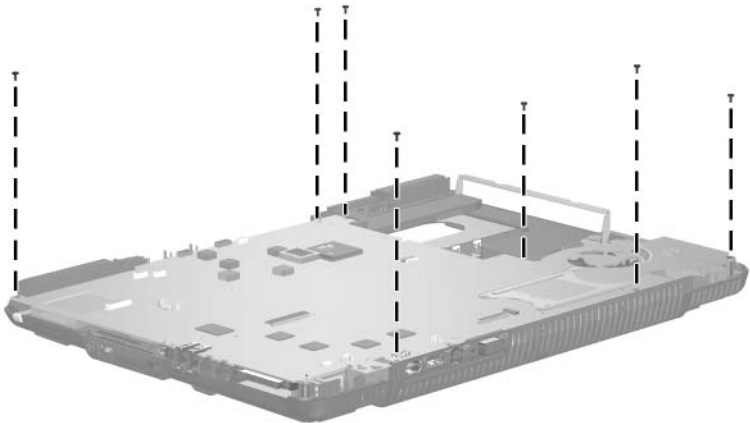
Phillips M2.0x8.0 Screw Locations

Table C-3
Phillips PM2.0×8.0 Screw (Continued)

	Color	Qty.	Length	Thread	Head Width
	Black	43	8.0 mm	2.0 mm	4.0 mm

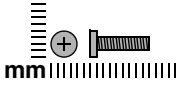
Where used:

Seven screws that secure the system board to the notebook
 (documented in [Section 5.16](#))



Phillips M2.0×8.0 Screw Location

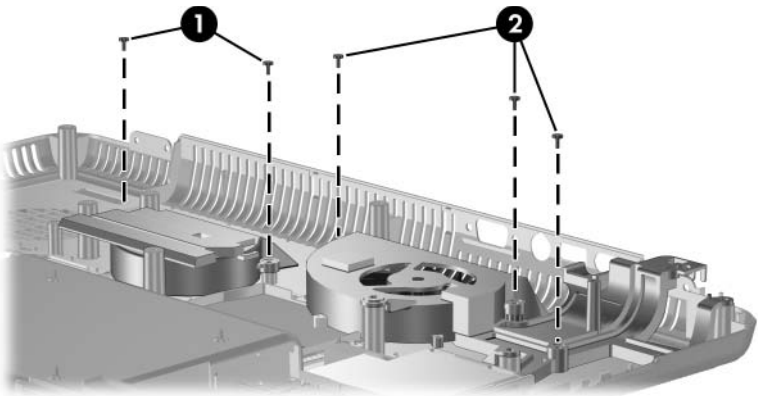
Table C-3

Phillips PM2.0×8.0 Screw (*Continued*)

Color	Qty.	Length	Thread	Head Width
Black	43	8.0 mm	2.0 mm	4.0 mm

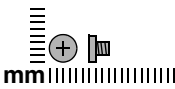
Where used:

- ❶ Two screws that secure the base enclosure small fan to the notebook (documented in [Section 5.19](#))
- ❷ Three screws that secure the base enclosure large fan to the notebook (documented in [Section 5.19](#))



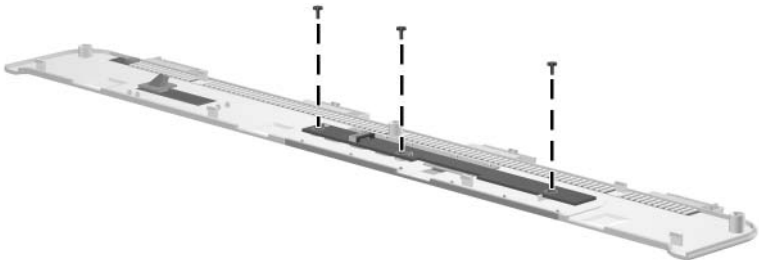
Phillips M2.0×8.0 Screw Locations

Table C-4
Phillips PM2.0×3.0 Screw

	Color	Qty.	Length	Thread	Head Width
	Black	4	3.0 mm	2.0 mm	4.0 mm

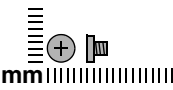
Where used:

Three screws that secure the LED board to the notebook
 (documented in [Section 5.9](#))



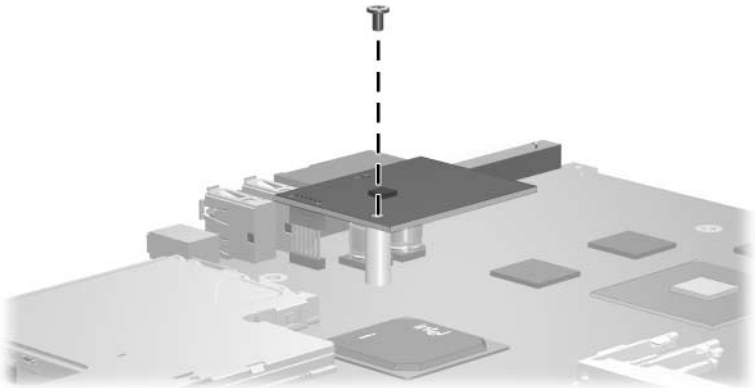
Phillips M2.0×3.0 Screw Locations

Table C-4
Phillips PM2.0×3.0 Screw (Continued)

	Color	Qty.	Length	Thread	Head Width
	Black	4	3.0 mm	2.0 mm	4.0 mm

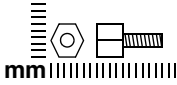
Where used:

One screw that secures the modem board to the notebook
 (documented in [Section 5.20](#))



Phillips M2.0×3.0 Screw Locations

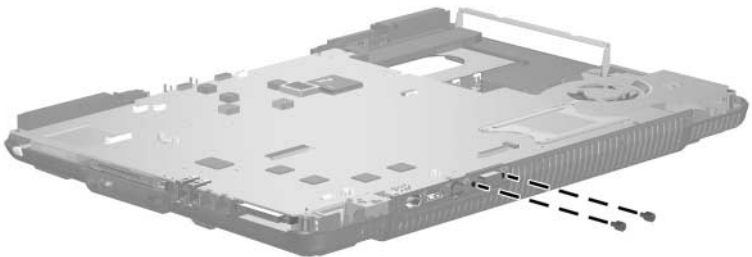
Table C-5
Hex Socket HM5.0×9.0 Screw Lock



Color	Qty.	Length	Thread	Head Width
Silver	2	9.0 mm	2.5 mm	5.0 mm

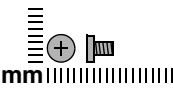
Where used:

Two screw locks that secure the system board to the notebook (documented in [Section 5.16](#))



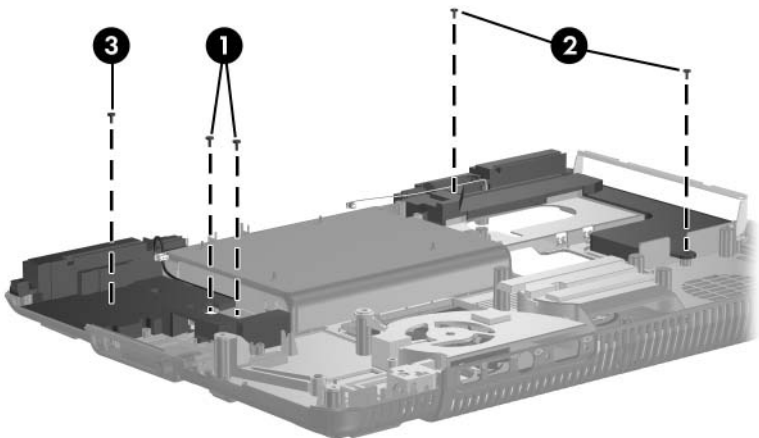
Hex Socket HM5.0×9.0 Screw Lock Locations

Table C-6
Phillips PM2.0×4.0 Screw

	Color	Qty.	Length	Thread	Head Width
	Silver	5	4.0 mm	2.0 mm	4.0 mm

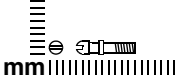
Where used:

- ❶ Two screws that secure the digital drive board to the notebook (documented in [Section 5.17](#))
- ❷ Two screws that secure the left speaker to the notebook (documented in [Section 5.18](#))
- ❸ One screw that secures the right speaker to the notebook (documented in [Section 5.18](#))



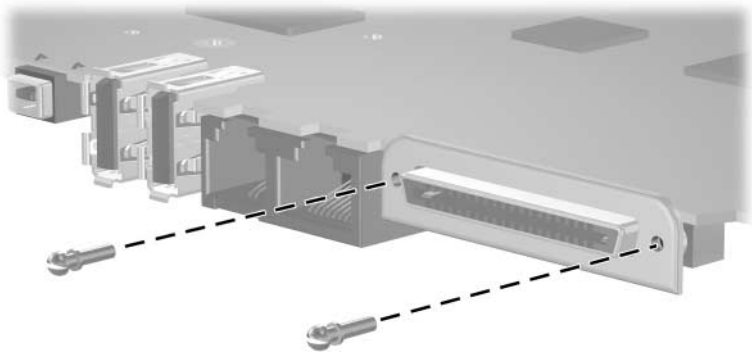
Phillips M2.0×4.0 Screw Locations

Table C-7
Slotted SM1.5×9.0 Shoulder Screw

	Color	Qty.	Length	Thread	Head Width
Silver	2	9.0 mm	1.5 mm	2.0 mm	

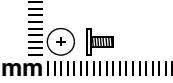
Where used:

Two screws that secure the expansion port bracket to the system board on Compaq Presario X6000 notebooks (documented in [Section 5.16](#))



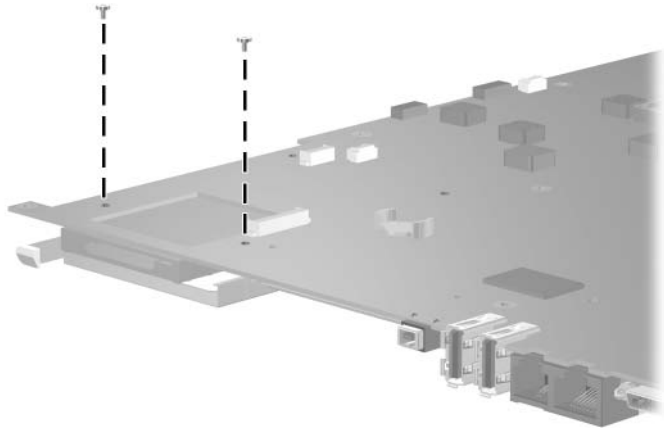
Slotted M1.5×9.0 Shoulder Screw Location

Table C-8
Phillips PM1.5×4.0 Screw

	Color	Qty.	Length	Thread	Head Width
mm	Silver	2	4.0 mm	1.5 mm	4.0 mm

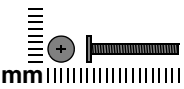
Where used:

Two screws that secure the PC Card cage to the system board on Compaq Presario X6000 notebooks (documented in [Section 5.16](#))



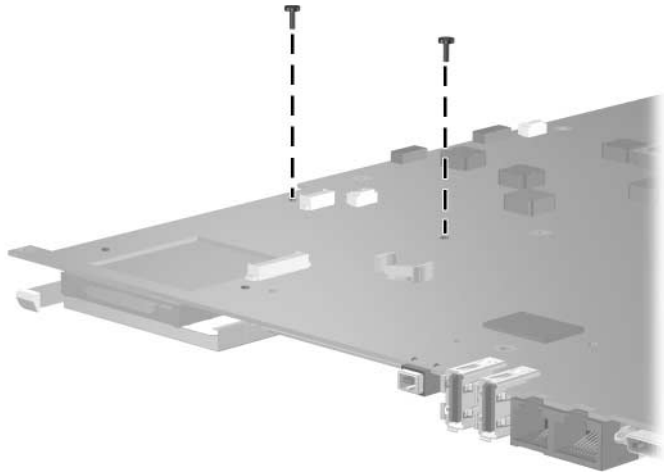
Phillips M1.5×4.0 Screw Location

Table C-9
Phillips PM1.5x14.0 Screw

	Color	Qty.	Length	Thread	Head Width
	Black	2	14.0 mm	1.5 mm	4.0 mm

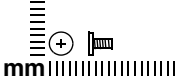
Where used:

Two screws that secure the PC Card cage to the system board on Compaq Presario X6000 notebooks (documented in [Section 5.16](#))



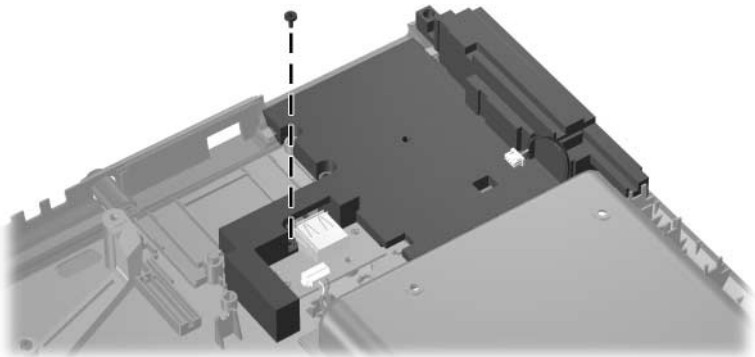
Phillips M1.5x14.0 Screw Location

Table C-10
Phillips PM1.5x3.5 Screw

	Color	Qty.	Length	Thread	Head Width
	Silver	1	3.5 mm	1.5 mm	3.5 mm

Where used:

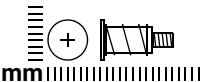
One screw that secures the right speaker to the notebook (documented in [Section 5.18](#))



Phillips M1.5x3.5 Screw Location

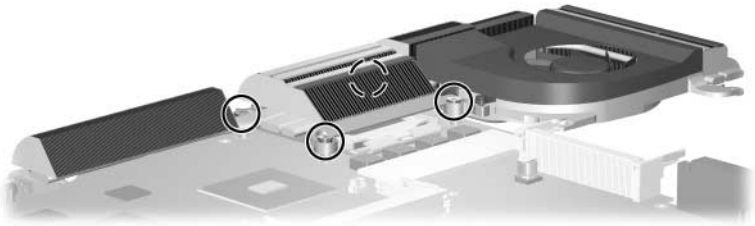
Table C-11

Phillips PM2.0x12.0 Spring-Loaded Shoulder Screw

	Color	Qty.	Length	Thread	Head Width
	Silver	4	12.0 mm	2.0 mm	6.0 mm

Where used:

Four screws that secure the heat sink module to the notebook (documented in [Section 5.21](#))



Phillips M2.0x12.0 Spring-Loaded Shoulder Screw Locations

Index

1394 port 1–7

A

AC adapter, spare part
numbers 3–13, 3–19, 3–22

arrow keys 1–11

audio troubleshooting 2–21

audio/USB board

removal 5–37

spare part number 3–5,
3–20, 5–37

audio/USB board cable, spare
part number 3–5, 3–22, 5–37

audio-in (microphone) jack

location 1–8

pin assignments A–5

audio-out (headphone) jack

location 1–8

pin assignments A–6

B

base enclosure, spare part

number 3–7, 3–20

battery bay 1–17

battery light 1–5

battery pack

removal 5–5

spare part number 3–9,
3–22, 5–5

specifications 6–7

battery pack release latch 1–17

Bluetooth board

removal 5–39

spare part number 3–5,
3–20, 5–39

bottom components 1–16

C

cables, service considerations
4–2

caps lock key 1–11

caps lock light 1–12

CD-ROM drive

OS not loading 2–20

precautions 4–3

components

bottom 1–16

front 1–5

keyboard 1–9, 1–10

left-side 1–8

rear 1–8

right-side 1–6

- top 1–14
- upper keyboard 1–12
- Computer Setup
 - Advanced Menu 2–4
 - Main Menu 2–2
 - overview 2–1
 - Security Menu 2–3
 - Tools Menu 2–4
- connector pin assignments
 - external monitor A–3
 - headphone A–6
 - microphone A–5
 - monitor A–3
 - RJ-11 (modem) A–4
 - RJ-45 (network) A–2
 - S-Video-out A–2
 - Universal Serial Bus (USB) A–1
- connectors, service considerations 4–2
- D**
 - design overview 1–18
 - digital drive bay 1–7
 - digital drive board
 - removal 5–51
 - spare part number 3–7, 3–11, 3–20, 5–51
 - digital drive eject button 1–7
 - Digital Media Slot 1–6
 - disassembly sequence chart 5–3
 - diskette drive, OS not loading 2–19
 - diskette drive, USB, spare part number 3–11
 - display assembly
 - removal 5–26
 - spare part numbers 3–3, 3–20, 3–21, 5–26
 - specifications 6–3, 6–4
 - display release button 1–5
 - DMA specifications 6–12
 - drive activity light 1–5
 - drives, preventing damage 4–3
 - Dual Format, Double Layer optical drive, spare part number 3–7, 3–22, 5–11
 - Dual Format, Light Scribe optical drive, spare part number 3–7, 3–22, 5–11
 - DVD/CD-RW Combo Drive
 - spare part number 3–7, 3–11, 3–19, 3–21, 5–11
 - specifications 6–8
 - DVD±RW/R and CD-RW Combo Drive
 - spare part number 3–7, 3–11, 3–19, 3–21, 5–11
 - specifications 6–10
 - DVD-ROM drive
 - OS not loading 2–20
 - precautions 4–3
- E**
 - electrostatic discharge 4–4, 4–8
 - exhaust vents 1–8, 1–9, 1–12, 1–16
 - expansion base, troubleshooting 2–14
 - expansion port 2 1–7

ExpressCard slot 1–6
external monitor port
 location 1–9
 pin assignments A–3

F

f1 to **f12** keys 1–11

fan

 locations 1–17
 removal 5–56
 spare part numbers 3–5,
 3–22, 5–56

features 1–2

feet

 locations 5–10

flowcharts, troubleshooting

 no audio 2–21, 2–22
 no network/modem
 connection 2–26
 no OS loading 2–15
 no OS loading from
 CD-ROM/DVD-ROM
 Drive 2–20
 no OS loading from
 diskette drive 2–19
 no OS loading from hard
 drive 2–16, 2–17, 2–18
 no power 2–8, 2–10, 2–11
 no video 2–12, 2–13
 nonfunctioning device
 2–23
 nonfunctioning expansion
 base 2–14
 nonfunctioning keyboard
 2–24

 nonfunctioning pointing
 device 2–25

 OS not loading 2–15

fn key 1–11

front components 1–5

front panel LED board

 removal 5–35
 spare part number 3–9,
 3–22, 5–35

G

grounding equipment and
 methods 4–7

H

hard drive

 OS not loading 2–16
 precautions 4–3
 removal 5–7
 spare part numbers 3–7,
 3–11, 3–19, 3–21, 3–22
 specifications 6–5, 6–6

hard drive bay 1–17

hard drive cover

 removal 5–7

headphone jack

 location 1–8
 pin assignments A–6

headset, spare part number
 3–13, 3–17

heat sink module

 removal 5–60
 spare part number 3–5,
 3–22, 5–60

I

- I/O address specifications
6–15
- interrupt specifications 6–13

K

- keyboard
 - removal 5–22
 - spare part numbers 3–3,
3–19, 3–21, 5–22
 - troubleshooting 2–24
- keyboard components 1–9,
1–10
- keypad keys 1–11

L

- label area 1–17
- LED board
 - removal 5–21
 - spare part number 3–3,
3–22, 5–21
- left-side components 1–8
- Logo Kit, spare part numbers
3–13, 3–19, 3–22

M

- mass storage devices, spare
part numbers 3–10
- memory map specifications
6–18
- memory module
 - removal 5–13
 - spare part numbers 3–9,
3–18, 3–19, 5–13
- memory module compartment
1–17

- memory module compartment
cover
 - removal 5–14
- Memory Reader 1–6
- Memory Reader light 1–15
- microphone jack
 - location 1–8
 - pin assignments A–5
- Mini PCI communications
card
 - removal 5–16
 - spare part numbers 3–9,
3–17, 3–20, 5–16
- Mini PCI compartment 1–17
- Miscellaneous Plastics Kit
components 3–9, 3–12,
3–19
 - spare part number 3–9,
3–19
- Miscellaneous Screw Kit,
spare part number 3–13
- modem board
 - removal 5–58
 - spare part number 3–5,
3–20, 5–58
- modem jack
 - location 1–7
 - pin assignments A–4
- modem, troubleshooting 2–26
- monitor port
 - location 1–9
 - pin assignments A–3
- mouse, spare part number
3–13, 3–16

N

- network jack
 - location 1-7
 - pin assignments A-2
- network, troubleshooting 2-26
- nonfunctioning device,
 - troubleshooting 2-14, 2-23
- notebook feet
 - locations 5-10
- notebook specifications 6-1
- num lock** key 1-11
- num lock light 1-13

O

- operating system not loading,
 - troubleshooting 2-15
- optical drive
 - location 1-8
 - OS not loading 2-20
 - removal 5-11
 - spare part numbers 3-7,
3-11, 3-19, 3-21, 5-11

P

- packing precautions 4-5
- PC Card eject buttons 1-7
- PC Card slots 1-7
- plastic parts 4-2
- pointing device,
 - troubleshooting 2-25
- power connector 1-9
- power cord
 - set requirements B-2
 - spare part numbers 3-14,
3-15, 3-16, 3-17, 3-18
- power management features 1-4

- power, troubleshooting 2-8
- power/standby button 1-13
- power/standby light 1-5
- processor

- removal 5-62
- spare part numbers 3-5,
3-18, 3-20, 5-62

R

- rear components 1-8
- removal and replacement
 - preliminaries 4-1
- removal and replacement
 - procedures 5-1
- right-side components 1-6
- RJ-11 (modem) jack
 - location 1-7
 - pin assignments A-4
- RJ-45 (network) jack
 - location 1-7
 - pin assignments A-2

S

- Screw Kit, spare part number 3-13, 3-19
- screw listing C-1
- security cable slot 1-9
- serial number 3-1, 5-2
- service considerations 4-2
- speakers
 - location 1-5
 - removal 5-53
 - spare part number 3-7,
3-21, 5-53
- specifications
 - battery pack 6-7
 - display 6-3, 6-4

- DMA 6–12
- DVD/CD-RW Combo
 - Drive 6–8
- DVD±RW/R and CD-RW
 - Combo Drive 6–10
- hard drive 6–5, 6–6
- I/O addresses 6–15
- interrupts 6–13
- memory map 6–18
- notebook 6–1
- static shielding materials 4–8
- S-Video-out jack
 - location 1–9
 - pin assignments A–2
- switch cover
 - removal 5–18
 - spare part numbers 3–3, 3–20, 3–21, 3–22, 5–18
- system board
 - removal 5–41
 - spare part numbers 3–5, 3–18, 3–20, 5–41
- system memory map 6–18

T

- tools required 4–1
- top components 1–14
- top cover
 - removal 5–30
 - spare part numbers 3–5, 3–20, 3–22, 5–30
- TouchPad 1–15
- TouchPad button 1–15
- TouchPad left/right buttons 1–15

- TouchPad left/right scroll zone 1–15
- TouchPad light 1–15
- TouchPad up/down scroll zone 1–15
- transporting precautions 4–5
- troubleshooting
 - audio 2–21
 - Computer Setup 2–1
 - expansion base 2–14
 - flowcharts 2–5
 - keyboard 2–24
 - modem 2–26
 - network 2–26
 - nonfunctioning device 2–14, 2–23
 - OS not loading 2–15
 - overview 2–1
 - pointing device 2–25
 - power 2–8
 - video 2–12

U

- Universal Serial Bus (USB)
 - port
 - location 1–7, 1–8, 1–9
 - pin assignments A–1
 - upper keyboard components 1–12
- USB travel mouse, spare part number 3–13, 3–16

V

- video troubleshooting 2–12
- volume button 1–13

W

Windows applications key

1–11

Windows logo key 1–11

wireless button 1–13

wireless light 1–5

workstation precautions 4–6